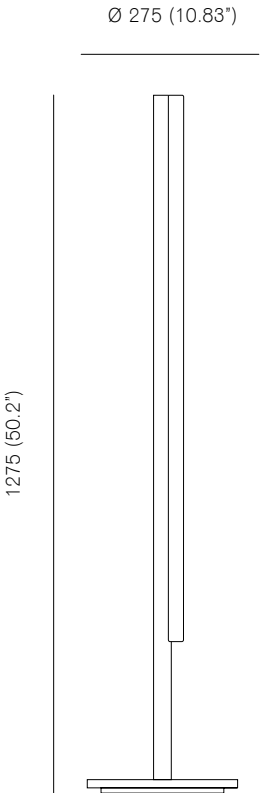


MICHAEL ANASTASSIADES

One Well-Known Sequence 01, 2017



One Well-Known Sequence 01, 2017
Black anodized satin aluminium
Black braided flex, inline switch



Bulb specifications

Bulb specifications 120V / 240V
S14s opal LED tube
Radium Raledina 16,5W / 1000mm Ø 29mm
1000lm / 2700K

Product specifications

Input voltage: 120V / 240V
Maximum wattage: 120W
Dimmable. Provided with 2500mm cord set.
Product weight: ~12kg

Cleaning Instructions

Before cleaning, lighting fixtures must be turned off and unplugged from mains electricity. Whilst cleaning them please be extremely careful and use the white cotton gloves provided in the product box.

Black anodized satin aluminum: Use a lightly damp soft dust cloth and gently go over marks until clean. Dry it afterwards with a soft dust cloth. Make sure the product is completely dry before switching the electricity on.

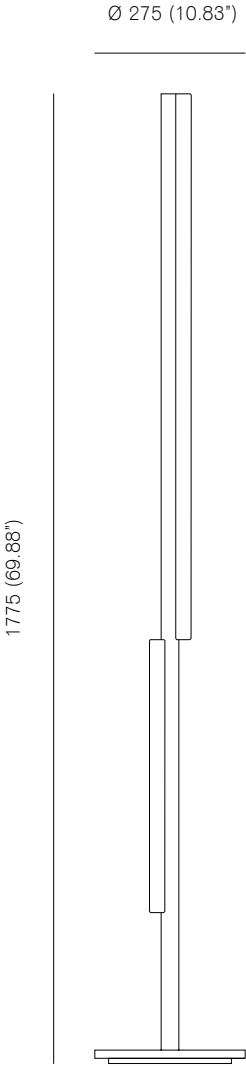
Glass tube: Remove the bulb from the product. Using a lightly damp cloth, clean only the outside of the sphere and dry it with a dry soft dust cloth. Only put the glass bulb back on the product once it is fully dry.

MICHAEL ANASTASSIADES

One Well-Known Sequence 0501, 2017



One Well-Known Sequence 0501, 2017
Black anodized satin aluminium
Black braided flex, inline switch



Bulb specifications

Bulb specifications 240V
S14s opal LED tube
Radium Raledina 16,5W / 1000mm Ø 29mm
1000lm / 2700K

S14s opal LED tube
Radium Raledina 9W / 500mm Ø 29mm
450lm / 2700K

Bulb not provided in 120V version

Product specifications

Input voltage: 120V / 240V
Maximum wattage: 120W for 1000mm bulb, 60W for 500mm bulb.
Dimmable. Provided with 2500mm cord set.
Product weight: ~14kg

Cleaning Instructions

Before cleaning, lighting fixtures must be turned off and unplugged from mains electricity. Whilst cleaning them please be extremely careful and use the white cotton gloves provided in the product box.

Black anodized satin aluminum: Use a lightly damp soft dust cloth and gently go over marks until clean. Dry it afterwards with a soft dust cloth. Make sure the product is completely dry before switching the electricity on.

Glass tube: Remove the bulb from the product. Using a lightly damp cloth, clean only the outside of the sphere and dry it with a dry soft dust cloth. Only put the glass bulb back on the product once it is fully dry.

MICHAEL ANASTASSIADES

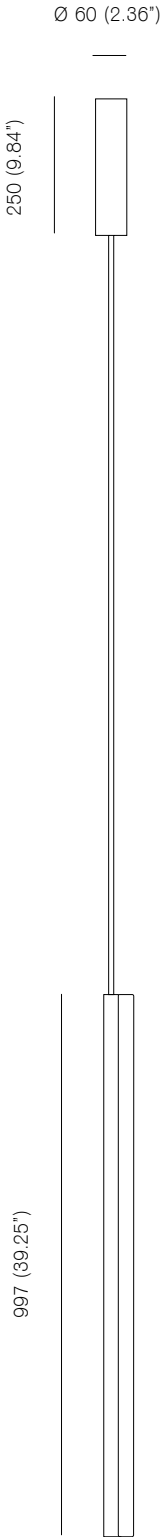
One Well-Known Sequence -01, 2017



One Well-Known Sequence -01, 2017

Black anodized satin aluminium

Pendant rod length to order



Bulb specifications

Bulb specifications 120V / 240V
S14s opal LED tube
Radium Raledina 16,5W / 1000mm Ø 29mm
1000lm / 2700K

Product specifications

Input voltage: 120V / 240V
Maximum wattage: 120W
Dimmable: yes
Product weight: ~ 6kg

Pendant rod length to order with maximum rod length 2000mm.
Please supply required drop length of fixture, measured from the ceiling to bottom fitting at time of order.
Please allow 25mm tolerance of drop length.

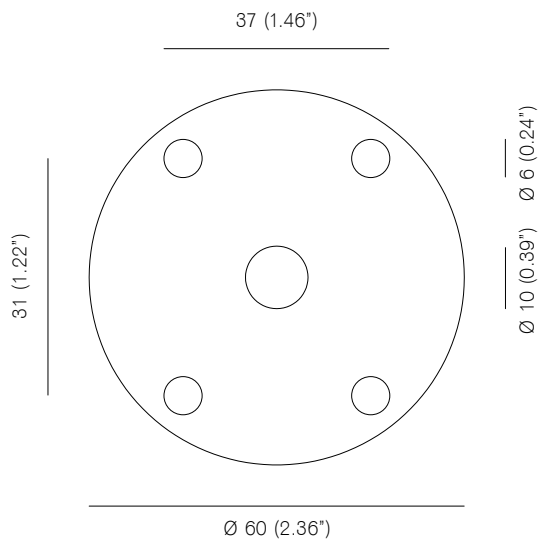
120V version supplied with a 4" junction box cover
Mud-in-plate option that can be plastered over the junction box available upon request

Cleaning Instructions

Before cleaning, lighting fixtures must be turned off and unplugged from mains electricity. Whilst cleaning them please be extremely careful and use the white cotton gloves provided in the product box.

Black anodized satin aluminum: Use a lightly damp soft dust cloth and gently go over marks until clean. Dry it afterwards with a soft dust cloth. Make sure the product is completely dry before switching the electricity on.

Glass tube: Remove the bulb from the product. Using a lightly damp cloth, clean only the outside of the sphere and dry it with a dry soft dust cloth. Only put the glass bulb back on the product once it is fully dry.



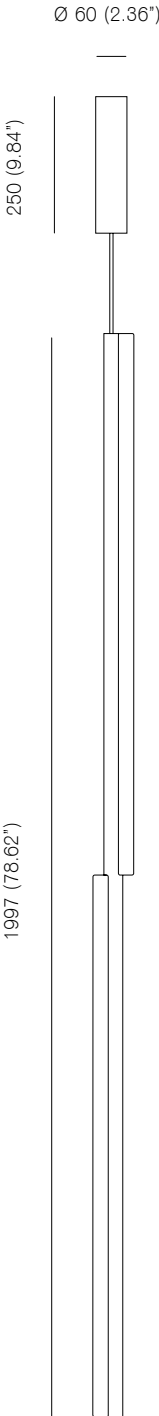
Mounting screws not included.
6mm countersunk screw recommended.

MICHAEL ANASTASSIADES

One Well-Known Sequence -0101, 2017



One Well-Known Sequence -0101, 2017
Black anodized satin aluminium
Pendant rod length to order



Bulb specifications

Bulb specifications 120V / 240V
S14s opal LED tube
Radium Raledina 16,5W / 1000mm Ø 29mm
1000lm / 2700K

Product specifications

Input voltage: 120V / 240V
Maximum wattage: 120W
Dimmable: yes
Product weight: ~12kg

Pendant rod length to order with maximum rod length 2000mm.
Please supply required drop length of fixture, measured from the ceiling to bottom fitting at time of order.
Please allow 25mm tolerance of drop length.

120V version supplied with a 4" junction box cover
Mud-in-plate option that can be plastered over the junction box available upon request

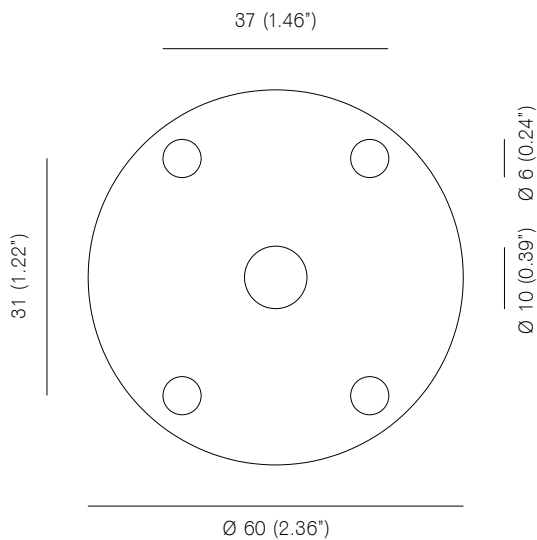
Cleaning Instructions

Before cleaning, lighting fixtures must be turned off and unplugged from mains electricity. Whilst cleaning them please be extremely careful and use the white cotton gloves provided in the product box.

Black anodized satin aluminum: Use a lightly damp soft dust cloth and gently go over marks until clean. Dry it afterwards with a soft dust cloth. Make sure the product is completely dry before switching the electricity on.

Glass tube: Remove the bulb from the product. Using a lightly damp cloth, clean only the outside of the sphere and dry it with a dry soft dust cloth. Only put the glass bulb back on the product once it is fully dry.

Backplate



Mounting screws not included.
6mm countersunk screw recommended.

Michael Anastassiades' design philosophy is to preserve the inherent qualities of given material. All of our products are handmade and come in natural finishes, exposed to the elements without any protective lacquers. We look at oxidisation as part of a process that adds to the patina of an object, increasing beauty with time. We try our best for all goods to leave our premises in pristine condition, but sometimes products may arrive with minor oxidisation marks.

Whilst every effort is made to ensure accurate representation of product colours, finishes and dimensions, Michael Anastassiades Ltd reserves the right to alter these details without notice, in compliance with its own production needs, technological changes or in response to the current market needs. Colour swatches are for reference only; Michael Anastassiades Ltd cannot guarantee exact colour match for any product finishes.

All designs are protected under copyright law. Michael Anastassiades holds the exclusive manufacturing and distribution rights worldwide. Copying will be prosecuted.

All light fixtures in this catalogue have CE marking compliance.

Michael Anastassiades Ltd.
50 Rochester Place, London NW1 9JX
T +44 (0)20 7928 7527
sales@michaelanastassiades.com
www.michaelanastassiades.com
© 2019 Michael Anastassiades Ltd. All rights reserved.