

# MICHAEL ANASTASSIADES

Happy Together 1, 2015





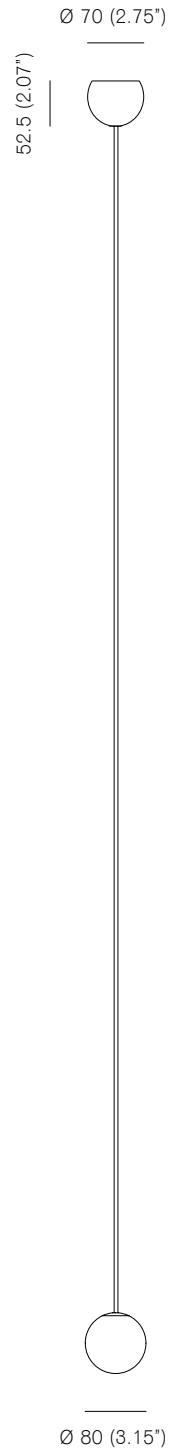


Happy Together 1, 2015

Polished brass, polished nickel-plated brass or black-patinated brass

Mouth blown opaline sphere

Pendant length to order



## Bulb specifications

Bulb specifications 120V / 240V  
G9, 25W frosted halogen bulb  
260lm / 3000K

## Product specifications

Input voltage: 120V / 240V  
Maximum wattage: 25W  
Dimmable: yes  
Happy Together 1 Pendant Rod weight: ~1.5kg  
Happy Together 1 Flex weight: ~1kg

Pendant rod length to order with maximum rod length 2m.  
Please supply required drop length of fixture, measured from the ceiling to bottom fitting at time of order.

120V version supplied with 4" junction box cover  
Mud-in-plate option that can be plastered over the junction box available upon request

## Cleaning instructions

Before cleaning, lighting fixtures must be turned off and unplugged from mains electricity. Whilst cleaning them please be extremely careful and use the white cotton gloves provided in the product box.

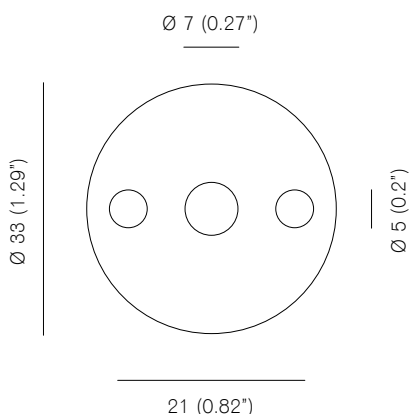
Polished brass: As the item is unlacquered, it naturally oxidises (darkens). Upon touching the items without gloves, finger prints are likely to occur and leave marks. Use a good quality brass cleaning liquid and follow the product instructions using the extra soft dust cloth. Do not apply pressure on persistent marks. Remove them using repeated gentle motions and by reapplying the brass cleaning liquid.

Polished nickel: Use a lightly damp soft dust cloth and gently go over marks until clean. Dry it afterwards with a soft dust cloth. Make sure the product is completely dry before switching the electricity on.

Black patinated: Use a lightly damp soft dust cloth and gently go over marks until clean. Dry it afterwards with a soft dust cloth. Make sure the product is completely dry before switching the electricity on.

Opaline glass: Remove the opaline glass sphere from the product. Using a lightly damp cloth, clean only the outside of the sphere and dry it with a dry soft dust cloth. Only put the glass sphere back on the product once it is fully dry.

## Back plate



Mounting screws not included.  
5mm countersunk screw recommended.

# MICHAEL ANASTASSIADES

Happy Together 4 Berries, 2015



Happy Together 4 Stack, 2015







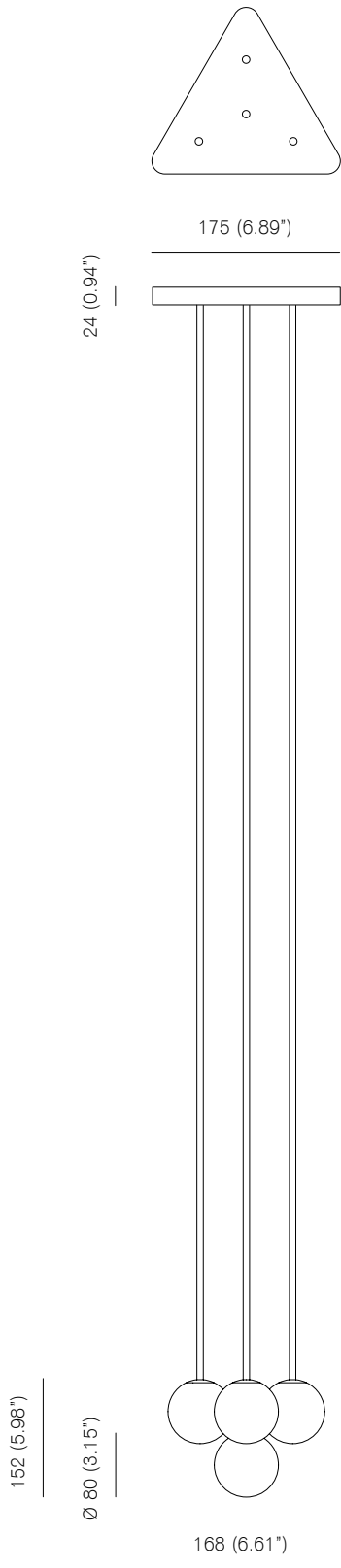


Happy Together 4, 2015

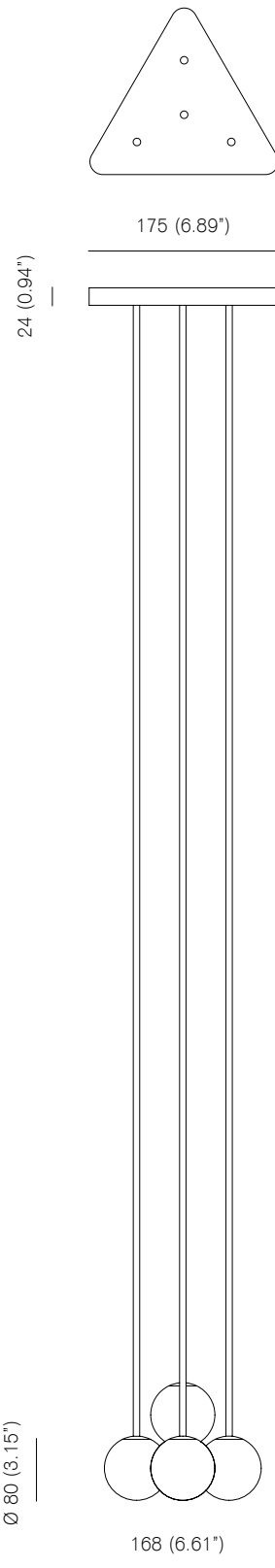
Polished brass, polished nickel-plated brass or black-patinated brass

Mouth blown opaline spheres

Pendant length to order



Happy Together 4 Berries



Happy Together 4 Stack

## Bulb specifications

Bulb specifications 120V / 240V  
G9, 25W frosted halogen bulb  
260lm / 3000K

## Product specifications

Input voltage: 120V / 240V  
Maximum wattage: 25W  
Dimmable: yes  
Happy Together 4 Pendant Rod weight: ~8kg  
Happy Together 4 Flex weight: ~6kg

Pendant rod length to order with maximum rod length 2m.  
Please supply required drop length of fixture, measured from the ceiling to bottom fitting at time of order.

## Cleaning instructions

Before cleaning, lighting fixtures must be turned off and unplugged from mains electricity. Whilst cleaning them please be extremely careful and use the white cotton gloves provided in the product box.

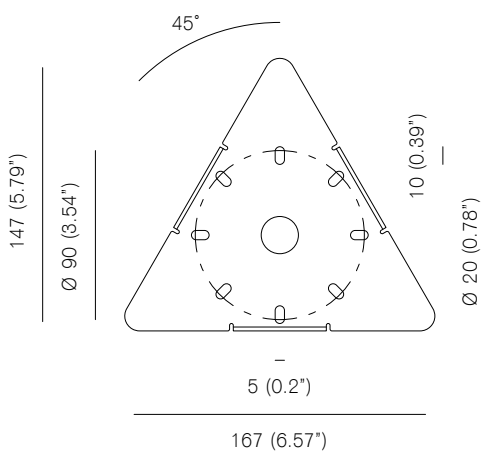
Polished brass: As the item is unlacquered, it naturally oxidises (darkens). Upon touching the items without gloves, finger prints are likely to occur and leave marks. Use a good quality brass cleaning liquid and follow the product instructions using the extra soft dust cloth. Do not apply pressure on persistent marks. Remove them using repeated gentle motions and by reapplying the brass cleaning liquid.

Polished nickel: Use a lightly damp soft dust cloth and gently go over marks until clean. Dry it afterwards with a soft dust cloth. Make sure the product is completely dry before switching the electricity on.

Black patinated: Use a lightly damp soft dust cloth and gently go over marks until clean. Dry it afterwards with a soft dust cloth. Make sure the product is completely dry before switching the electricity on.

Opaline glass: Remove the opaline glass sphere from the product. Using a lightly damp cloth, clean only the outside of the sphere and dry it with a dry soft dust cloth. Only put the glass sphere back on the product once it is fully dry.

## Back plate



Mounting screws not included.  
5mm countersunk screw recommended.

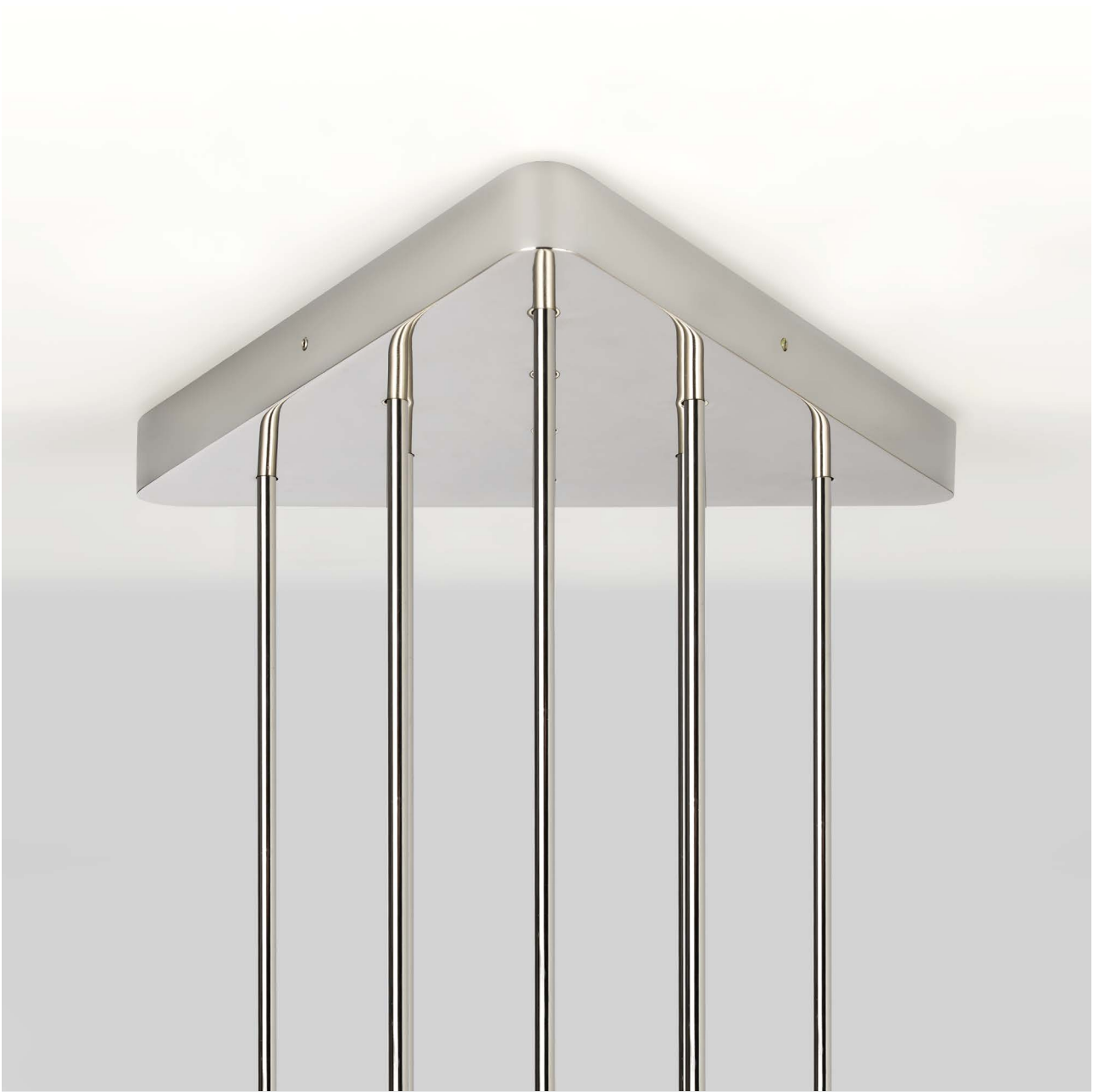
# MICHAEL ANASTASSIADES

Happy Together 10 Berries, 2015



Happy Together 10 Stack, 2015





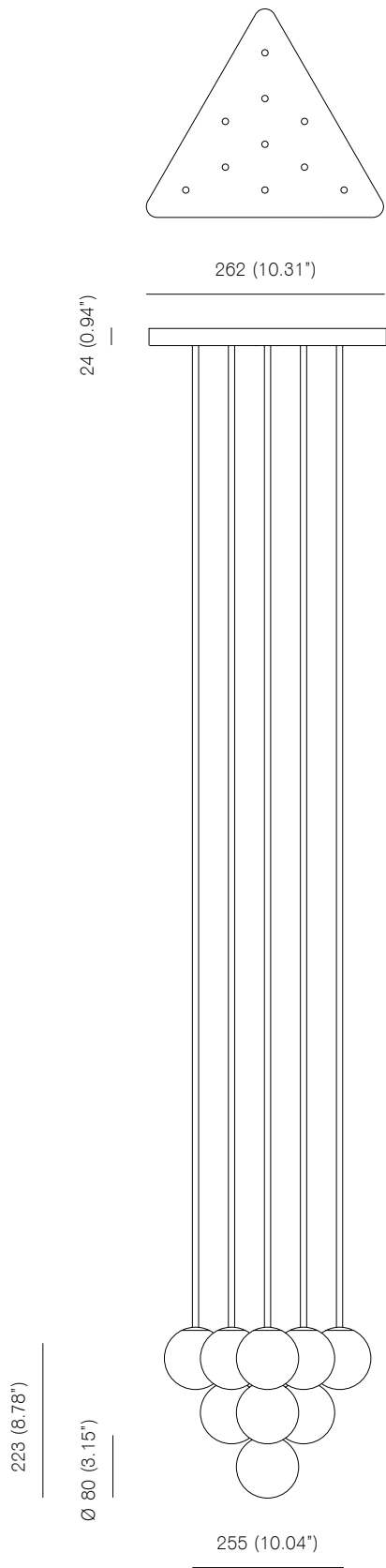


Happy Together 10, 2015

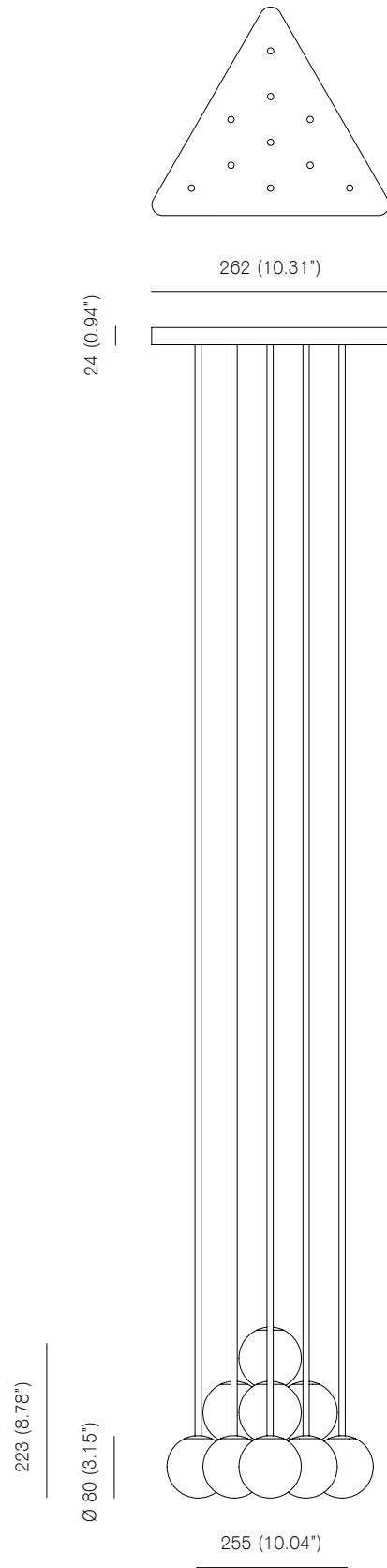
Polished brass, polished nickel-plated brass or black-patinated brass

Mouth blown opaline spheres

Pendant length to order



Happy Together 10 Berries



Happy Together 10 Stack



## Bulb specifications

Bulb specifications 120V / 240V  
G9, 25W frosted halogen bulb  
260lm / 3000K

## Product specifications

Input voltage: 120V / 240V  
Maximum wattage: 25W  
Dimmable: yes  
Happy Together 10 Pendant Rod weight: ~17kg  
Happy Together 10 Flex weight: ~12kg

Pendant rod length to order with maximum rod length 2m.  
Please supply required drop length of fixture, measured from the ceiling to bottom fitting at time of order.

## Cleaning instructions

Before cleaning, lighting fixtures must be turned off and unplugged from mains electricity. Whilst cleaning them please be extremely careful and use the white cotton gloves provided in the product box.

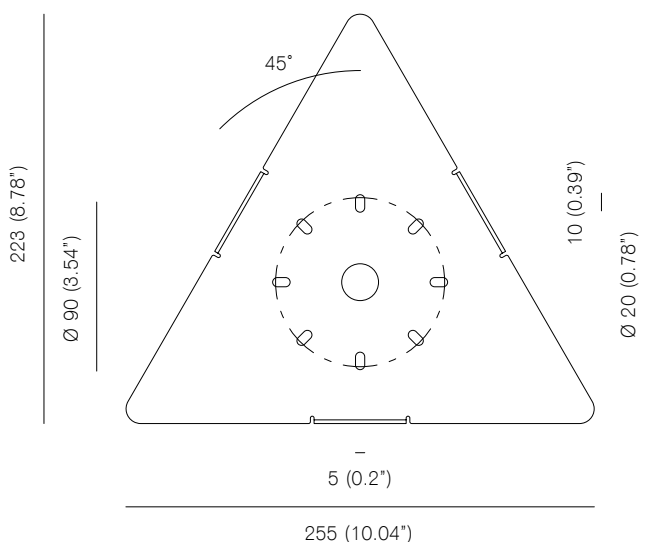
Polished brass: As the item is unlacquered, it naturally oxidises (darkens). Upon touching the items without gloves, finger prints are likely to occur and leave marks. Use a good quality brass cleaning liquid and follow the product instructions using the extra soft dust cloth. Do not apply pressure on persistent marks. Remove them using repeated gentle motions and by reapplying the brass cleaning liquid.

Polished nickel: Use a lightly damp soft dust cloth and gently go over marks until clean. Dry it afterwards with a soft dust cloth. Make sure the product is completely dry before switching the electricity on.

Black patinated: Use a lightly damp soft dust cloth and gently go over marks until clean. Dry it afterwards with a soft dust cloth. Make sure the product is completely dry before switching the electricity on.

Opaline glass: Remove the opaline glass sphere from the product. Using a lightly damp cloth, clean only the outside of the sphere and dry it with a dry soft dust cloth. Only put the glass sphere back on the product once it is fully dry.

## Back plate



Mounting screws not included.  
5mm countersunk screw recommended.

Michael Anastassiades' design philosophy is to preserve the inherent qualities of given material. All of our products are handmade and come in natural finishes, exposed to the elements without any protective lacquers. We look at oxidation as part of a process that adds to the patina of an object, increasing beauty with time. We try our best for all goods to leave our premises in pristine condition, but sometimes products may arrive with minor oxidation marks.

Whilst every effort is made to ensure accurate representation of product colours, finishes and dimensions, Michael Anastassiades Ltd reserves the right to alter these details without notice, in compliance with its own production needs, technological changes or in response to the current market needs. Colour swatches are for reference only; Michael Anastassiades Ltd cannot guarantee exact colour match for any product finishes.

All designs are protected under copyright law. Michael Anastassiades holds the exclusive manufacturing and distribution rights worldwide. Copying will be prosecuted.

All light fixtures in this catalogue have CE marking compliance.

Michael Anastassiades Ltd.  
50 Rochester Pl, London NW1 9JX, UK  
T +44 (0)20 7928 7527  
sales@michaelanastassiades.com  
www.michaelanastassiades.com  
© 2018 Michael Anastassiades Ltd. All rights reserved.