

# MICHAEL ANASTASSIADES

Single Angle, 2013



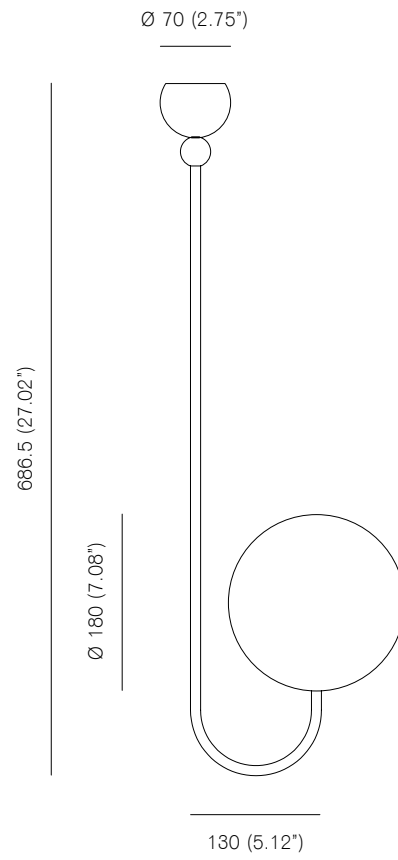
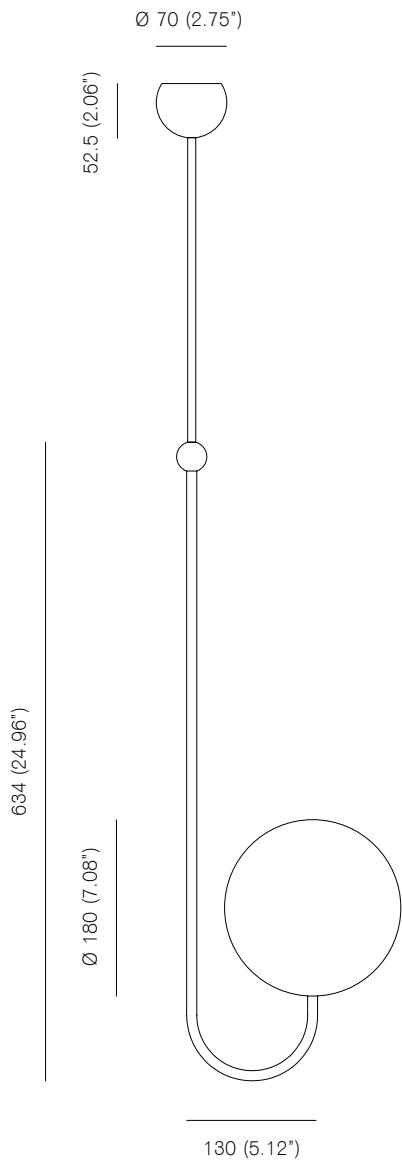


Single Angle, 2013

Satin brass or satin nickel-plated brass

Mouth blown opaline sphere

Pendant rod length to order



## Bulb Specifications

Bulb specifications 240V  
G9 40W frosted halogen bulb  
460 lm / 2800K

Bulb specifications 120V  
G9 40W frosted halogen bulb  
350 lm / 2800K

## Product Specifications

Input voltage: 120V / 240V  
Maximum wattage: 40W  
Dimmable: yes  
Product weight: ~4kg

Please supply required drop length of fixture, measured from the ceiling to bottom of fitting at time of order.  
Maximum total drop length 2686mm.  
Please allow 25mm tolerance of drop length.

120V version supplied with 4" junction box cover  
Mud-in-plate option that can be plastered over the junction box available upon request

## Cleaning Instructions

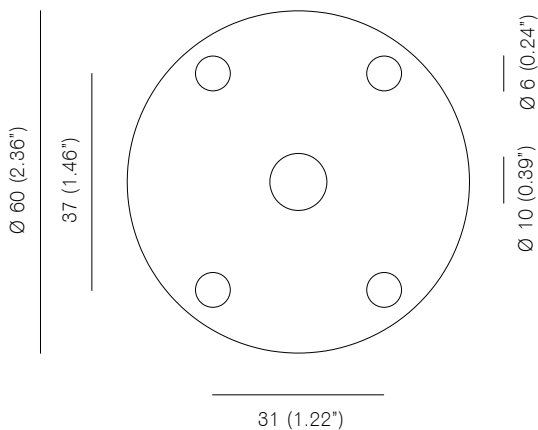
Before cleaning, lighting fixtures must be turned off and unplugged from mains electricity. Whilst cleaning them please be extremely careful and use the white cotton gloves provided in the product box.

Satin brass: Use the Scotch Brite pad (supplied in the product box) and gently rub the pad in the direction of the grain. Repeat until the natural patina is removed. On rubbing the Scotch Brite to the brass, grains will occur. The colour of the product will temporarily get lighter until it re-oxidises.

Satin nickel: Use a lightly damp soft dust cloth and gently go over marks until clean. Dry it afterwards with a soft dust cloth.

Opaline glass: Remove the opaline glass sphere from the product. Using a lightly damp cloth, clean only the outside of the sphere and dry it with a dry soft dust cloth. Only put the glass sphere back on the product once it is fully dry.

## Backplate



Mounting screws not included.  
6mm countersunk screw recommended.

# MICHAEL ANASTASSIADES

Double Angle, 2013



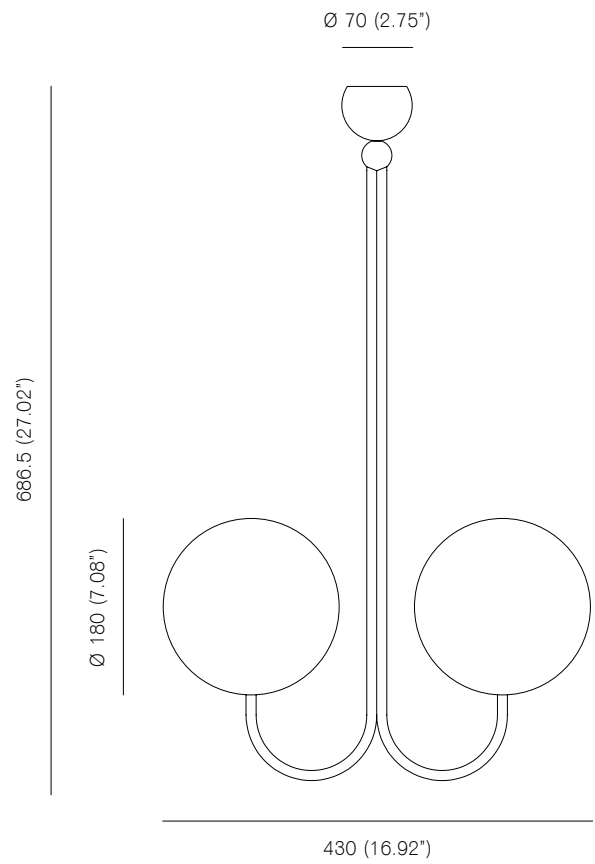
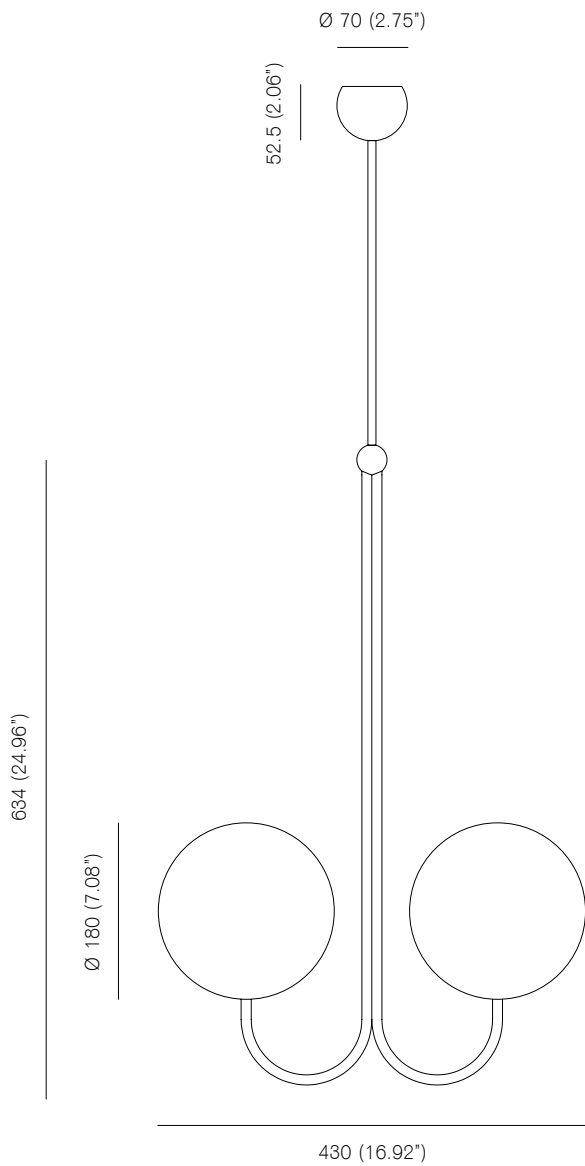


Double Angle, 2013

Satin brass or satin nickel-plated brass

Mouth blown opaline spheres

Pendant rod length to order



## Bulb Specifications

Bulb specifications 240V  
G9 40W frosted halogen bulb  
460 lm / 2800K

Bulb specifications 120V  
G9 40W frosted halogen bulb  
350 lm / 2800K

## Product Specifications

Input voltage: 120V / 240V  
Maximum wattage: 40W  
Dimmable: yes  
Product weight: ~6kg

Please supply required drop length of fixture, measured from the ceiling to bottom of fitting at time of order.  
Maximum total drop length 2686mm.  
Please allow 25mm tolerance of drop length.

120V version supplied with 4" junction box cover  
Mud-in-plate option that can be plastered over the junction box available upon request

## Cleaning Instructions

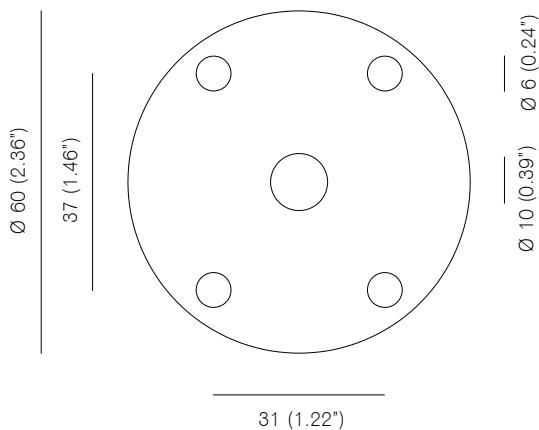
Before cleaning, lighting fixtures must be turned off and unplugged from mains electricity. Whilst cleaning them please be extremely careful and use the white cotton gloves provided in the product box.

Satin brass: Use the Scotch Brite pad (supplied in the product box) and gently rub the pad in the direction of the grain. Repeat until the natural patina is removed. On rubbing the Scotch Brite to the brass, grains will occur. The colour of the product will temporarily get lighter until it re-oxidises.

Satin nickel: Use a lightly damp soft dust cloth and gently go over marks until clean. Dry it afterwards with a soft dust cloth.

Opaline glass: Remove the opaline glass sphere from the product. Using a lightly damp cloth, clean only the outside of the sphere and dry it with a dry soft dust cloth. Only put the glass sphere back on the product once it is fully dry.

## Backplate



Mounting screws not included.  
6mm countersunk screw recommended.



# MICHAEL ANASTASSIADES

Triple Angle, 2013



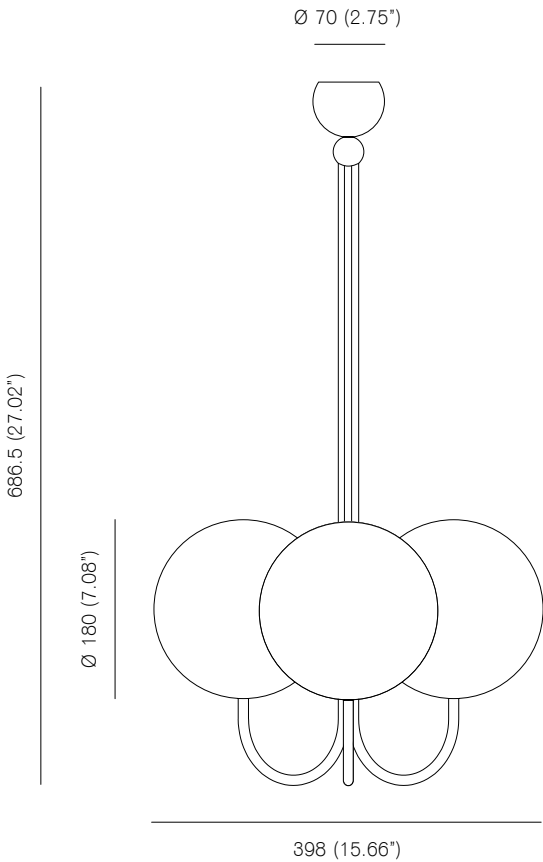
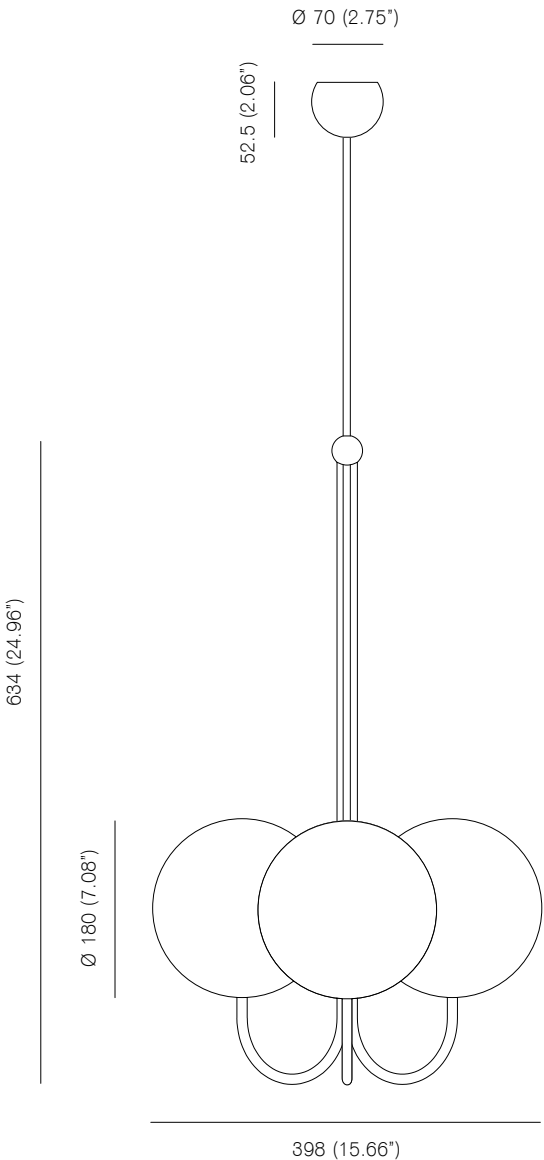


Triple Angle, 2013

Satin brass or satin nickel-plated brass

Mouth blown opaline spheres

Pendant rod length to order



## Bulb Specifications

Bulb specifications 240V  
G9 40W frosted halogen bulb  
460 lm / 2800K

Bulb specifications 120V  
G9 40W frosted halogen bulb  
350 lm / 2800K

## Product Specifications

Input voltage: 120V / 240V  
Maximum wattage: 40W  
Dimmable: yes  
Product weight: ~8kg

Please supply required drop length of fixture, measured from the ceiling to bottom fitting at time of order.  
Maximum total drop length 2686mm.  
Please allow 25mm tolerance of drop length.

120V version supplied with 4" junction box cover  
Mud-in-plate option that can be plastered over the junction box available upon request

## Cleaning Instructions

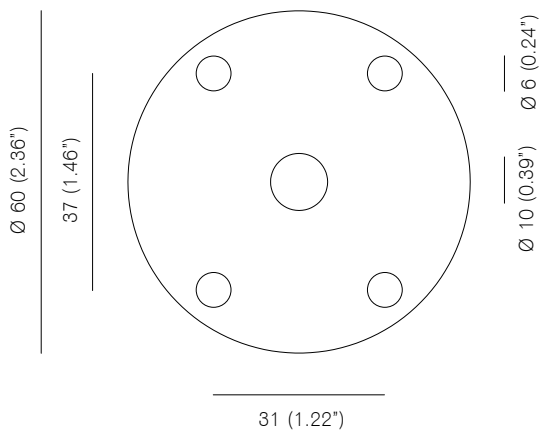
Before cleaning, lighting fixtures must be turned off and unplugged from mains electricity. Whilst cleaning them please be extremely careful and use the white cotton gloves provided in the product box.

Satin brass: Use the Scotch Brite pad (supplied in the product box) and gently rub the pad in the direction of the grain. Repeat until the natural patina is removed. On rubbing the Scotch Brite to the brass, grains will occur. The colour of the product will temporarily get lighter until it re-oxidises.

Satin nickel: Use a lightly damp soft dust cloth and gently go over marks until clean. Dry it afterwards with a soft dust cloth.

Opaline glass: Remove the opaline glass sphere from the product. Using a lightly damp cloth, clean only the outside of the sphere and dry it with a dry soft dust cloth. Only put the glass sphere back on the product once it is fully dry.

## Backplate



Mounting screws not included.  
6mm countersunk screw recommended.

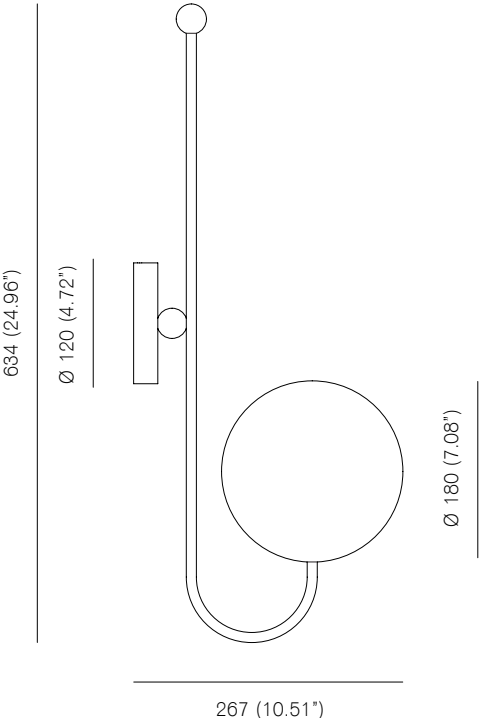
# MICHAEL ANASTASSIADES

Single Angle - Wall Mounted, 2015





Single Angle - Wall Mounted, 2015  
Satin brass or satin nickel-plated brass  
Mouth blown opaline sphere



## Bulb Specifications

Bulb specifications 240V  
G9 40W frosted halogen bulb  
460 lm / 2800K

Bulb specifications 120V  
G9 40W frosted halogen bulb  
350 lm / 2800K

## Product Specifications

Input voltage: 120V / 240V  
Maximum wattage: 40W  
Dimmable: yes  
Product weight: ~5kg

## Cleaning Instructions

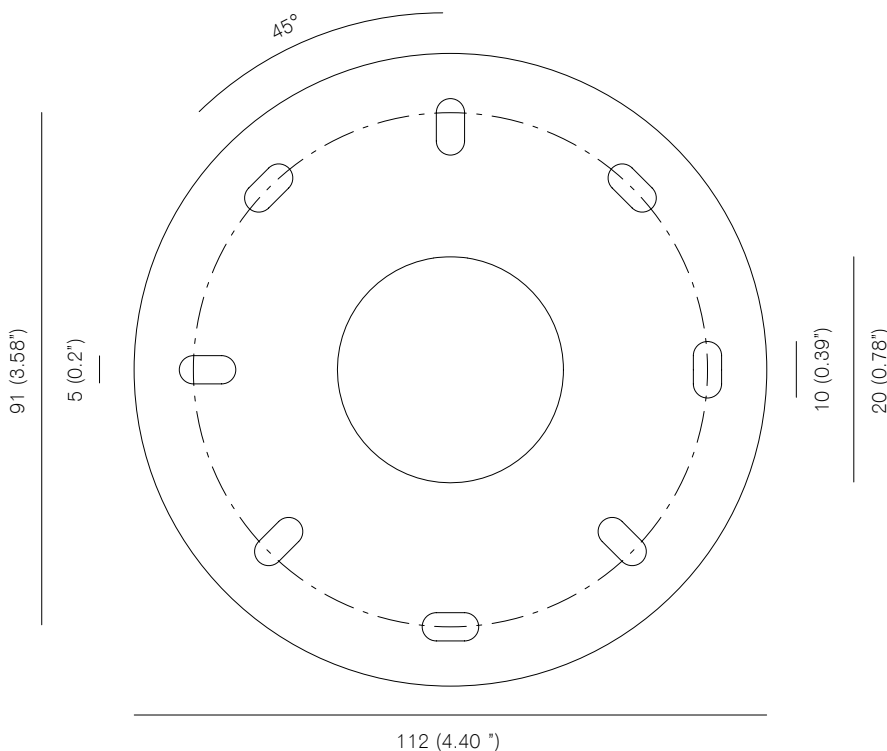
Before cleaning, lighting fixtures must be turned off and unplugged from mains electricity. Whilst cleaning them please be extremely careful and use the white cotton gloves provided in the product box.

Satin brass: Use the Scotch Brite pad (supplied in the product box) and gently rub the pad in the direction of the grain. Repeat until the natural patina is removed. On rubbing the Scotch Brite to the brass, grains will occur. The colour of the product will temporarily get lighter until it re-oxidises.

Satin nickel: Use a lightly damp soft dust cloth and gently go over marks until clean. Dry it afterwards with a soft dust cloth.

Opaline glass: Remove the opaline glass sphere from the product. Using a lightly damp cloth, clean only the outside of the sphere and dry it with a dry soft dust cloth. Only put the glass sphere back on the product once it is fully dry.

## Backplate



Mounting screws not included.  
5mm countersunk screw recommended.



Michael Anastassiades' design philosophy is to preserve the inherent qualities of given material. All of our products are handmade and come in natural finishes, exposed to the elements without any protective lacquers. We look at oxidisation as part of a process that adds to the patina of an object, increasing beauty with time. We try our best for all goods to leave our premises in pristine condition, but sometimes products may arrive with minor oxidisation marks.

Whilst every effort is made to ensure accurate representation of product colours, finishes and dimensions, Michael Anastassiades Ltd reserves the right to alter these details without notice, in compliance with its own production needs, technological changes or in response to the current market needs. Colour swatches are for reference only; Michael Anastassiades Ltd cannot guarantee exact colour match for any product finishes.

All designs are protected under copyright law. Michael Anastassiades holds the exclusive manufacturing and distribution rights worldwide. Copying will be prosecuted.

All light fixtures in this catalogue have CE marking compliance.

Michael Anastassiades Ltd.  
50 Rochester Pl, London NW1 9JX, UK  
T +44 (0)20 7928 7527  
sales@michaelanastassiades.com  
www.michaelanastassiades.com  
© 2018 Michael Anastassiades Ltd. All rights reserved.