

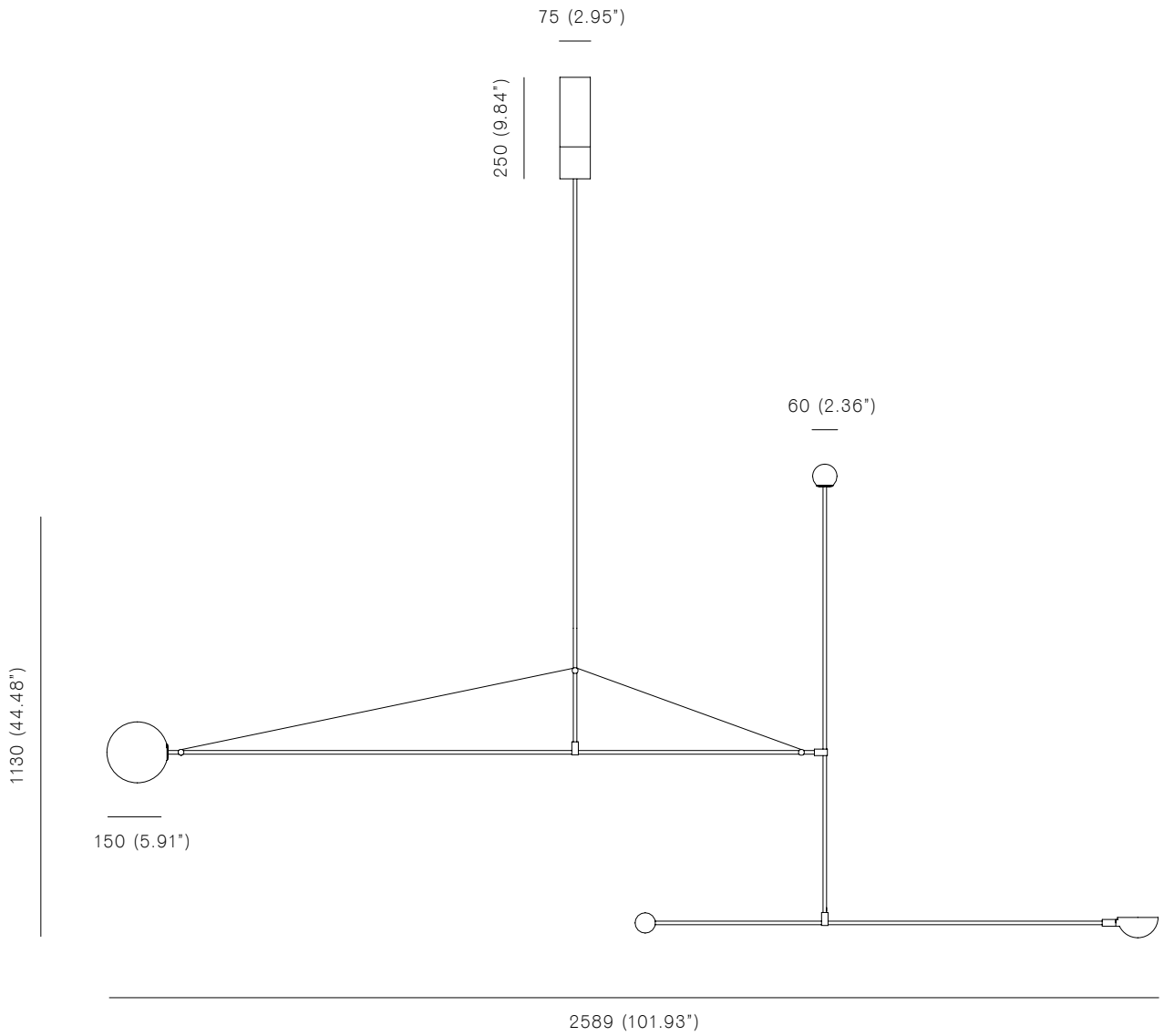
# MICHAEL ANASTASSIADES

Mobile Chandelier 1, 2008





Mobile Chandelier 1, 2008  
Black patinated brass  
Mouth blown opaline spheres  
Pendant rod length to order



Due to the handmade nature of this product dimensions may vary for balancing purposes.

## Bulb Specifications

G6.35 50W / 12V frosted halogen for ø150mm sphere  
760 lm / 2700K

G4 20W / 12V frosted halogen for ø60mm sphere  
250 lm / 2700K

120V version supplied with a 4" junction box cover

## Product Specifications

Input voltage: 120V / 240V

Maximum wattage: 50W for ø150mm sphere, 25W for ø60mm sphere

Dimmable: yes

Product weight: ~15kg

Please supply required drop length of fixture, measured from the ceiling to bottom of fitting at time of order.

Minimum total drop length 1480mm. Maximum total drop length 2700mm.

A short ceiling rose is available with remote transformer.

Please allow 25mm tolerance of drop length.

Customisable dimensions upon request. Charges may apply. Minimum width 2000mm, maximum width 2589mm.

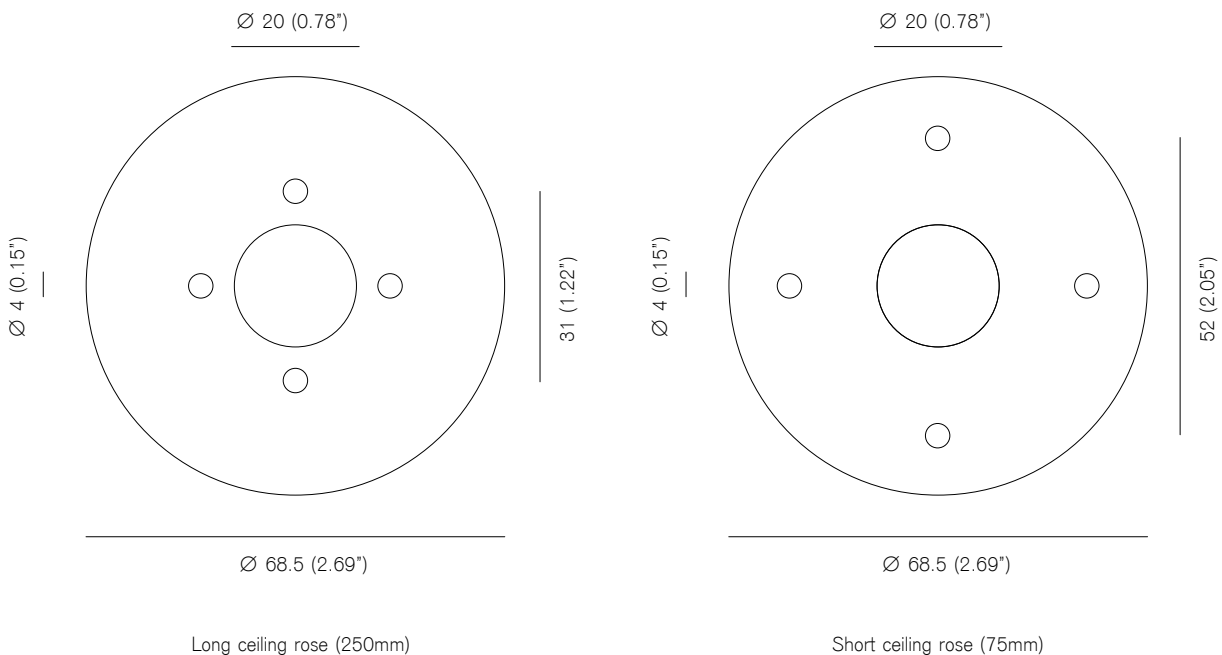
## Cleaning Instructions

Before cleaning, lighting fixtures must be turned off and unplugged from mains electricity. Whilst cleaning them please be extremely careful and use the white cotton gloves provided in the product box.

Black patinated: Use a lightly damp soft dust cloth and gently go over marks until clean. Dry it afterwards with a soft dust cloth. Make sure the product is completely dry before switching the electricity on.

Opaline glass: Remove the opaline glass sphere from the product. Using a lightly damp cloth, clean only the outside of the sphere and dry it with a dry soft dust cloth. Only put the glass sphere back on the product once it is fully dry.

## Backplates



Mounting screws not included.

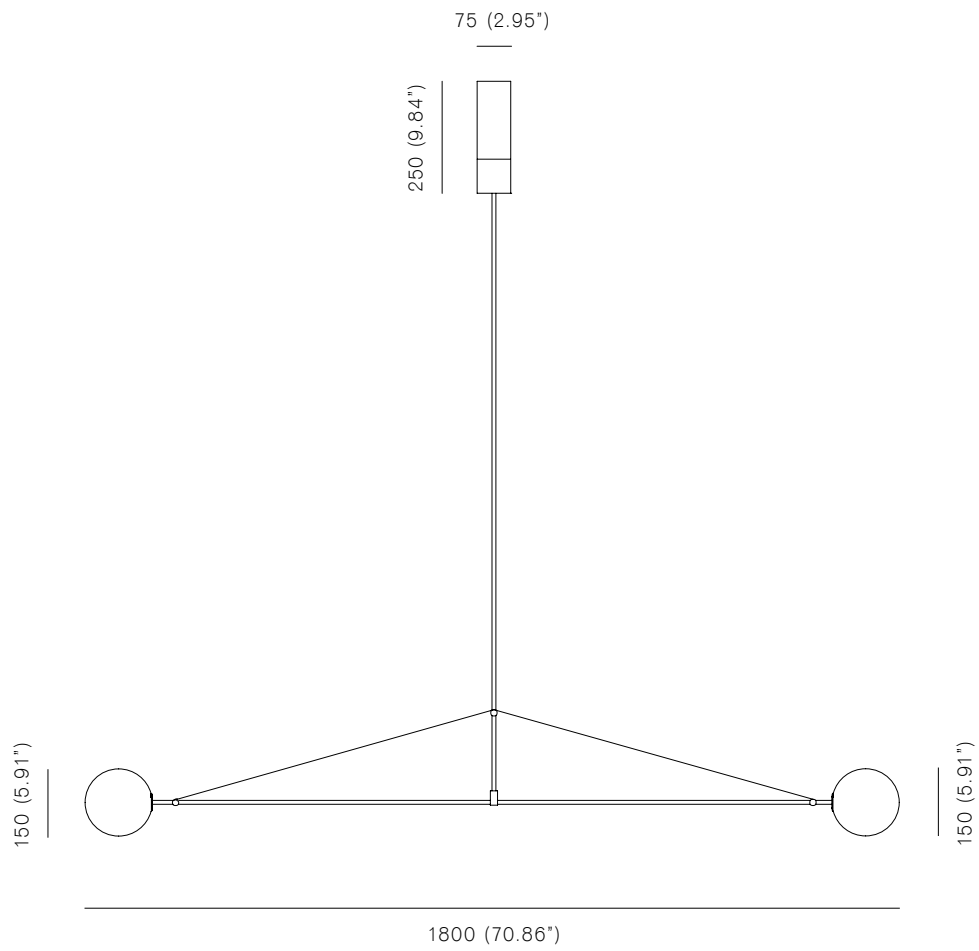
4mm countersunk screw recommended.

# MICHAEL ANASTASSIADES

Mobile Chandelier 2, 2008



Mobile Chandelier 2, 2008  
Black patinated brass  
Mouth blown opaline spheres  
Pendant rod length to order



Due to the handmade nature of this product dimensions may vary for balancing purposes.

## Bulb Specifications

G6.35 50W / 12V frosted halogen for  $\varnothing$ 150mm sphere  
760 lm / 2700K

120V version supplied with a 4" junction box cover

## Product Specifications

Input voltage: 120V / 240V

Maximum wattage: 50W

Dimmable: yes

Product weight: ~15kg

Please supply required drop length of fixture, measured from the ceiling to bottom of fitting at time of order.

Minimum total drop length 575mm. Maximum total drop length 2300mm.

A short ceiling rose is available with remote transformer.

Please allow 25mm tolerance of drop length.

Customisable dimensions upon request. Charges may apply. Minimum width 1500mm, maximum width 1952mm.

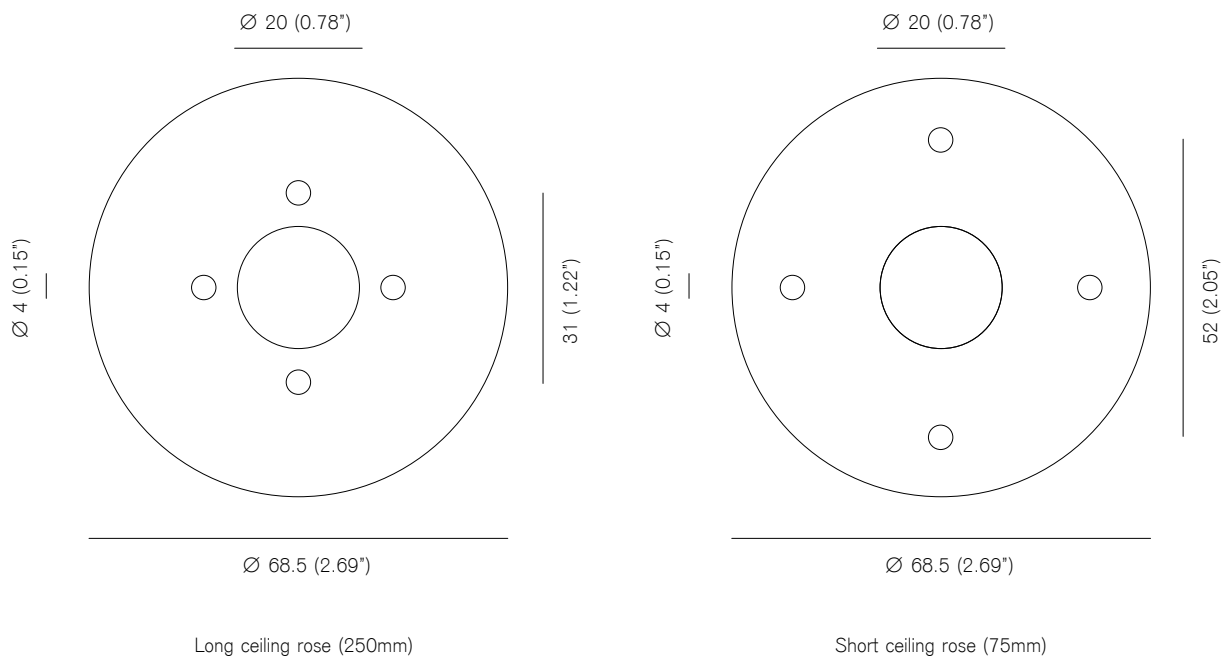
## Cleaning Instructions

Before cleaning, lighting fixtures must be turned off and unplugged from mains electricity. Whilst cleaning them please be extremely careful and use the white cotton gloves provided in the product box.

Black patinated: Use a lightly damp soft dust cloth and gently go over marks until clean. Dry it afterwards with a soft dust cloth. Make sure the product is completely dry before switching the electricity on.

Opaline glass: Remove the opaline glass sphere from the product. Using a lightly damp cloth, clean only the outside of the sphere and dry it with a dry soft dust cloth. Only put the glass sphere back on the product once it is fully dry.

## Backplate



Mounting screws not included.

4mm countersunk screw recommended.

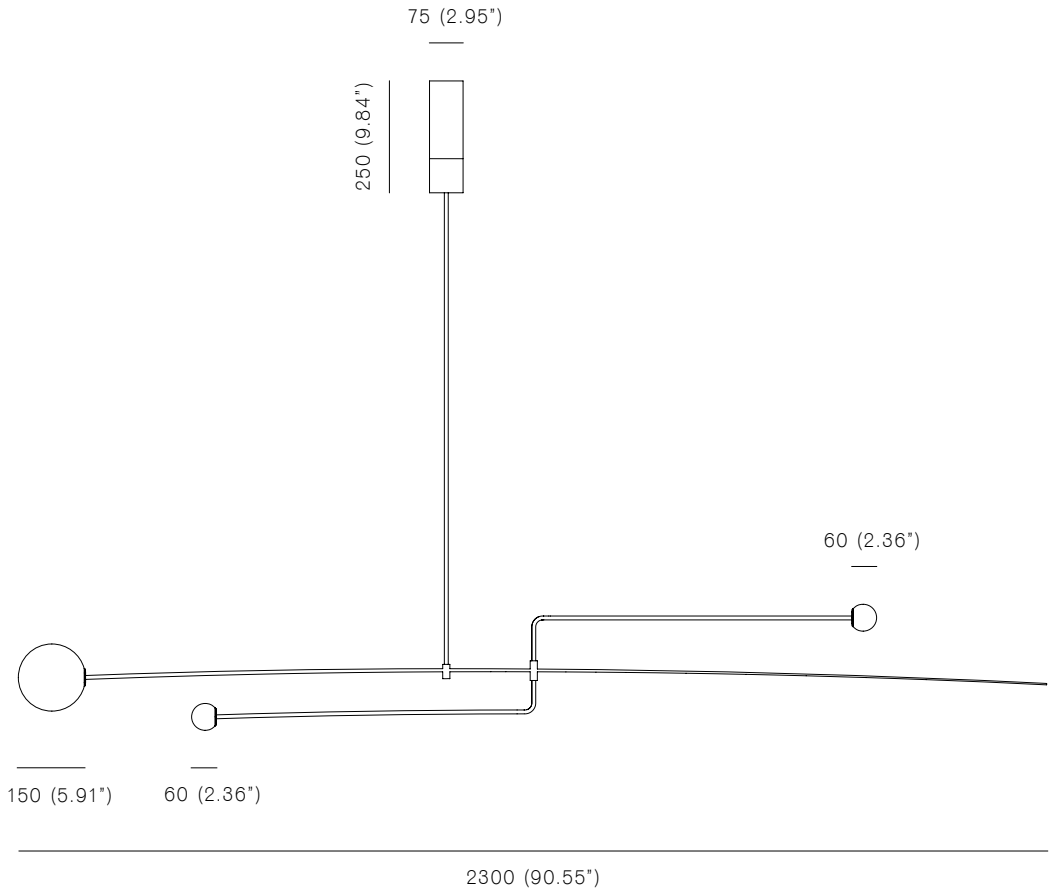
# MICHAEL ANASTASSIADES

Mobile Chandelier 3, 2008





Mobile Chandelier 3, 2008  
Black patinated brass  
Mouth blown opaline spheres  
Pendant rod length to order



Due to the handmade nature of this product dimensions may vary for balancing purposes.

## Bulb Specifications

G6.35 50W / 12V frosted halogen for ø150mm sphere  
760 lm / 2700K

G4 20W / 12V frosted halogen for ø60mm sphere  
250 lm / 2700K

120V version supplied with a 4" junction box cover

## Product Specifications

Input voltage: 120V / 240V

Maximum wattage: 50W for ø150mm sphere, 25W for ø60mm sphere

Dimmable: yes

Product weight: ~15kg

Please supply required drop length of fixture, measured from the ceiling to bottom of fitting at time of order

Minimum total drop length 650mm. Maximum total drop length 2370mm.

A short ceiling rose is available with remote transformer.

Please allow 25mm tolerance of drop length.

Customisable dimensions upon request. Charges may apply Minimum width 1800mm, maximum width 2300mm.

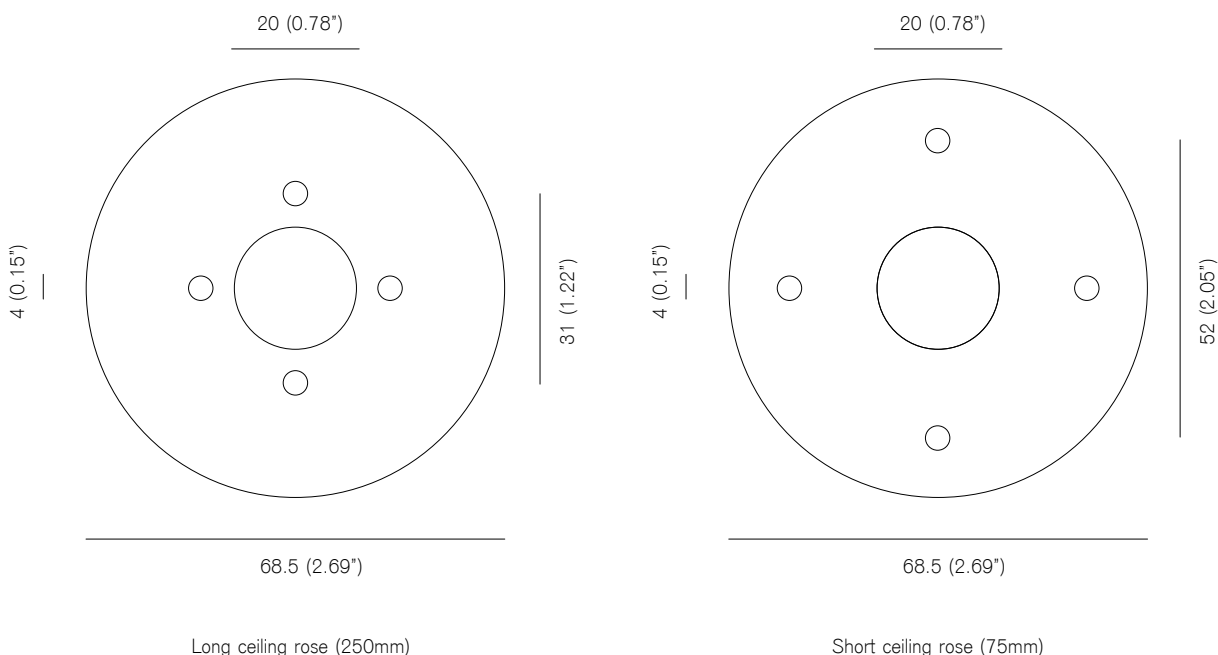
## Cleaning Instructions

Before cleaning, lighting fixtures must be turned off and unplugged from mains electricity. Whilst cleaning them please be extremely careful and use the white cotton gloves provided in the product box.

Black patinated: Use a lightly damp soft dust cloth and gently go over marks until clean. Dry it afterwards with a soft dust cloth. Make sure the product is completely dry before switching the electricity on.

Opaline glass: Remove the opaline glass sphere from the product. Using a lightly damp cloth, clean only the outside of the sphere and dry it with a dry soft dust cloth. Only put the glass sphere back on the product once it is fully dry.

## Backplate



Mounting screws not included.

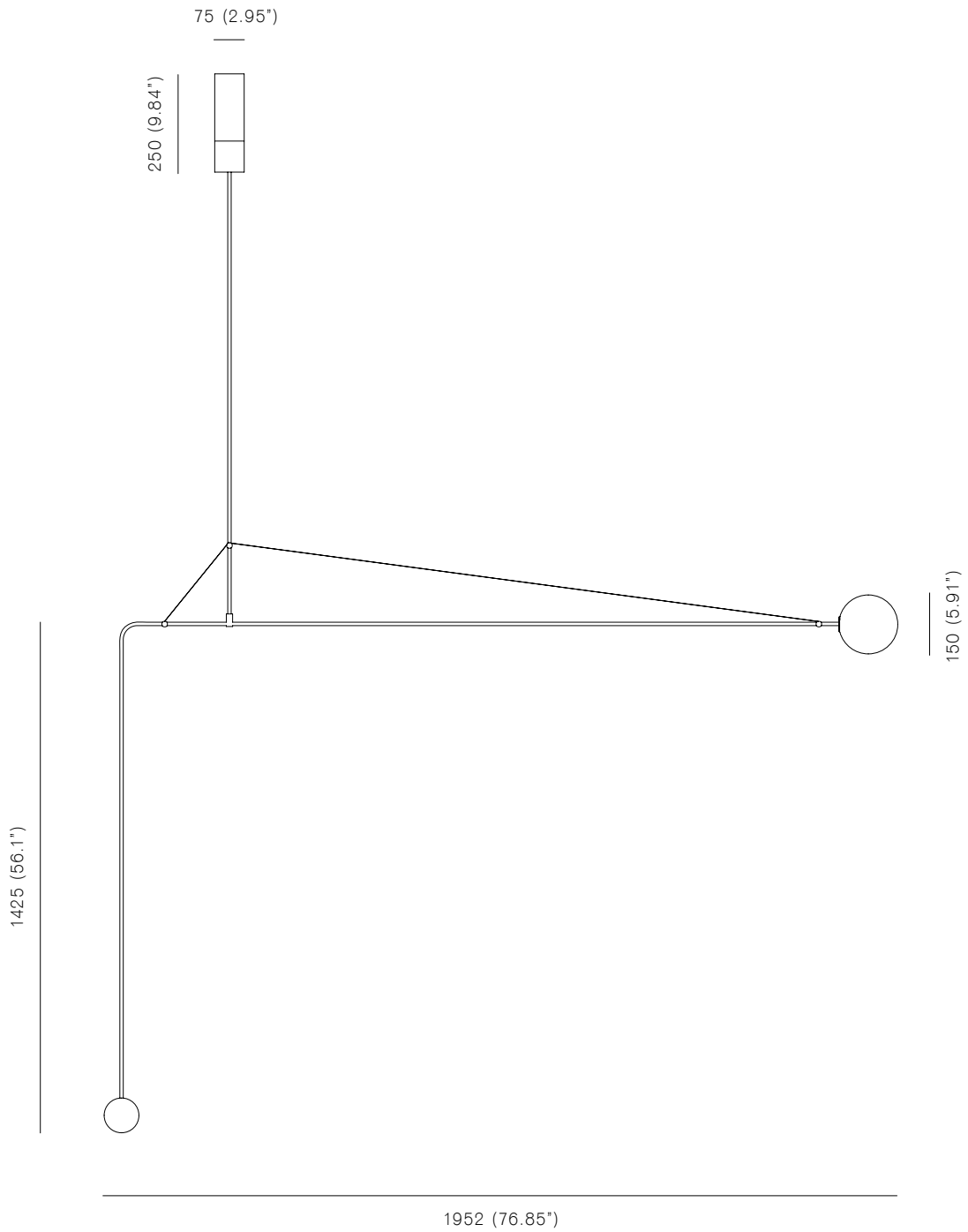
4mm countersunk screw recommended.

# MICHAEL ANASTASSIADES

Mobile Chandelier 4, 2008



Mobile Chandelier 4, 2008  
Black patinated brass  
Mouth blown opaline sphere  
Pendant rod length to order



Due to the handmade nature of this product dimensions may vary for balancing purposes.

## Bulb Specifications

G6.35 50W / 12V frosted halogen for  $\varnothing$ 150mm sphere  
760 lm / 2700K

120V version supplied with a 4" junction box cover

## Product Specifications

Input voltage: 120V / 240V

Maximum wattage: 50W

Dimmable: yes

Product weight: ~15kg

Please supply required drop length of fixture, measured from the ceiling to bottom of fitting at time of order

Minimum total drop length 1795mm. Maximum total drop length 3550mm.

A short ceiling rose is available with remote transformer.

Please allow 25mm tolerance of drop length.

Customisable dimensions upon request. Charges may apply. Minimum width 1500mm, maximum width 1952mm.

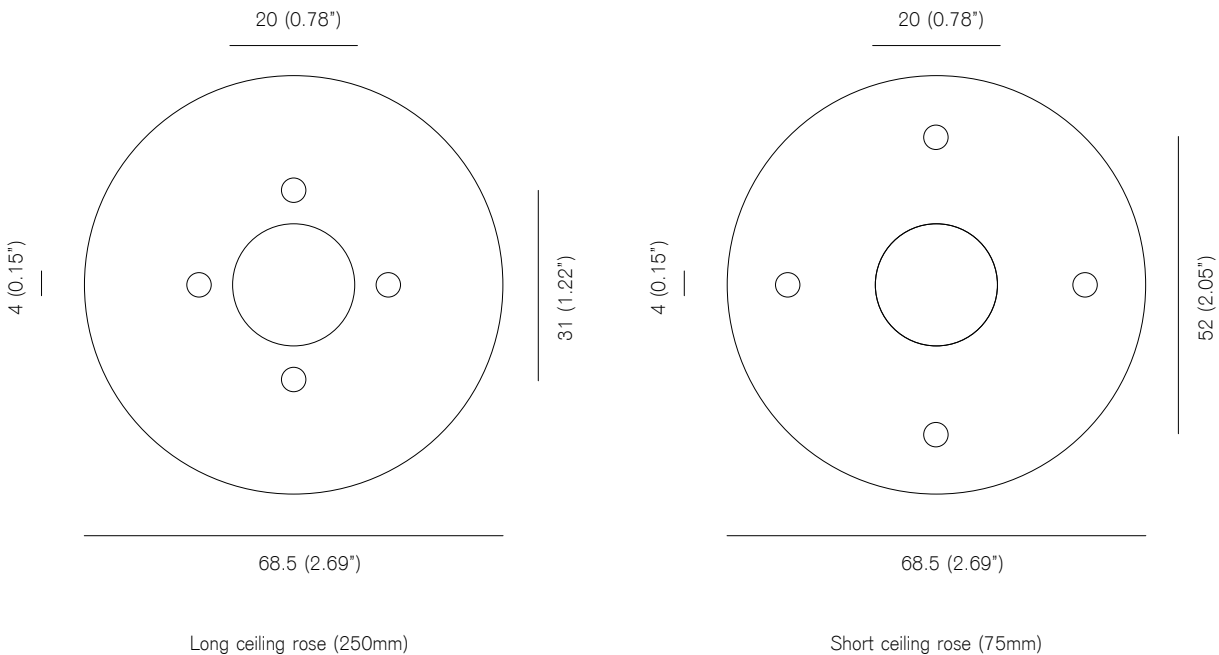
## Cleaning Instructions

Before cleaning, lighting fixtures must be turned off and unplugged from mains electricity. Whilst cleaning them please be extremely careful and use the white cotton gloves provided in the product box.

Black patinated: Use a lightly damp soft dust cloth and gently go over marks until clean. Dry it afterwards with a soft dust cloth. Make sure the product is completely dry before switching the electricity on.

Opaline glass: Remove the opaline glass sphere from the product. Using a lightly damp cloth, clean only the outside of the sphere and dry it with a dry soft dust cloth. Only put the glass sphere back on the product once it is fully dry.

## Backplate



Mounting screws not included.

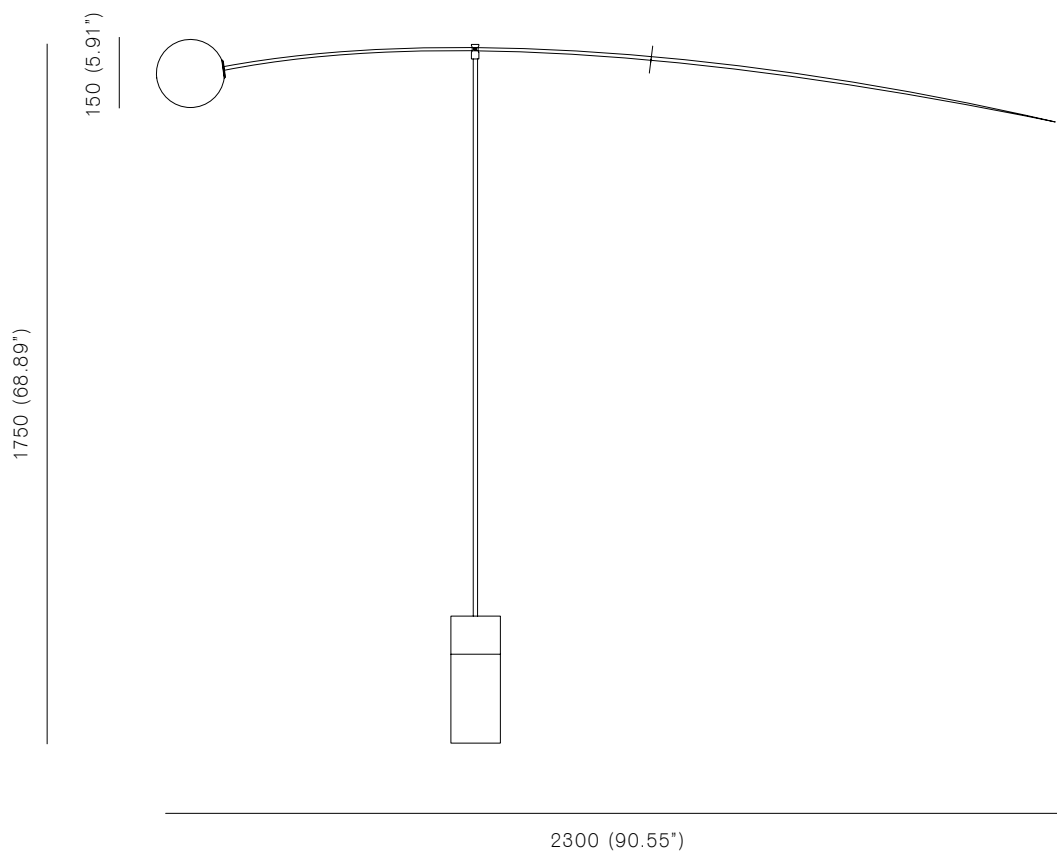
4mm countersunk screw recommended.

# MICHAEL ANASTASSIADES

Mobile Chandelier 5, 2011



Mobile Chandelier 5, 2011  
Black patinated brass  
Mouth blown opaline sphere



Due to the handmade nature of this product dimensions may vary for balancing purposes.

## Bulb Specifications

G6.35 50W / 12V frosted halogen for ø150mm sphere  
760 lm / 2700K

## Product Specifications

Input voltage: 120V / 240V  
Maximum wattage: 50W  
Dimmable: yes  
Product weight: ~15kg

## Cleaning instructions

Before cleaning, lighting fixtures must be turned off and unplugged from mains electricity. Whilst cleaning them please be extremely careful and use the white cotton gloves provided in the product box.

Black patinated: Use a lightly damp soft dust cloth and gently go over marks until clean. Dry it afterwards with a soft dust cloth. Make sure the product is completely dry before switching the electricity on.

Opaline glass: Remove the opaline glass sphere from the product. Using a lightly damp cloth, clean only the outside of the sphere and dry it with a dry soft dust cloth. Only put the glass sphere back on the product once it is fully dry.



Michael Anastassiades' design philosophy is to preserve the inherent qualities of given material. All of our products are handmade and come in natural finishes, exposed to the elements without any protective lacquers. We look at oxidisation as part of a process that adds to the patina of an object, increasing beauty with time. We try our best for all goods to leave our premises in pristine condition, but sometimes products may arrive with minor oxidisation marks.

Whilst every effort is made to ensure accurate representation of product colours, finishes and dimensions, Michael Anastassiades Ltd reserves the right to alter these details without notice, in compliance with its own production needs, technological changes or in response to the current market needs. Colour swatches are for reference only; Michael Anastassiades Ltd cannot guarantee exact colour match for any product finishes.

All designs are protected under copyright law. Michael Anastassiades holds the exclusive manufacturing and distribution rights worldwide. Copying will be prosecuted.

All light fixtures in this catalogue have CE marking compliance.

Michael Anastassiades Ltd.  
122 Lower Marsh, London SE1 7AE  
T +44 (0)20 7928 7527  
sales@michaelanastassiades.com  
www.michaelanastassiades.com  
© 2015 Michael Anastassiades Ltd. All rights reserved.