

# MICHAEL ANASTASSIADES

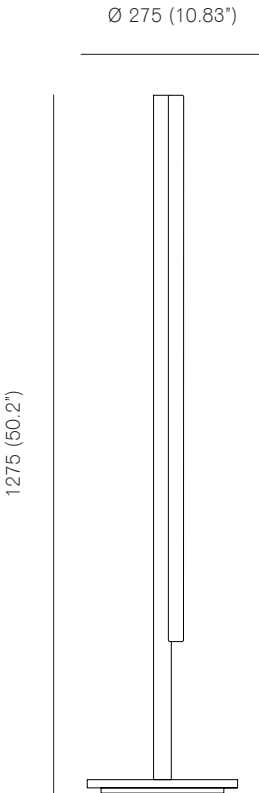
One Well-Known Sequence Aluminium 01, 2017



One Well-Known Sequence Aluminium 01, 2017

Black anodized satin aluminium

Black braided flex, inline switch



## Bulb specifications

Bulb specifications 240V  
S14s opal LED tube  
Radium Raledina 16,5W / 1000mm Ø 29mm  
1000lm / 2700K

## Product specifications

Input voltage: 120V / 240V  
Maximum wattage: 16,5W  
Provided with 2500mm cord set. Dimmer switch upon request.  
Product weight: ~12kg

## Cleaning Instructions

Before cleaning, lighting fixtures must be turned off and unplugged from mains electricity. Whilst cleaning them please be extremely careful and use the white cotton gloves provided in the product box.

Black anodized satin aluminum: Use a lightly damp soft dust cloth and gently go over marks until clean. Dry it afterwards with a soft dust cloth. Make sure the product is completely dry before switching the electricity on.

Glass tube: Remove the bulb from the product. Using a lightly damp cloth, clean only the outside of the sphere and dry it with a dry soft dust cloth. Only put the glass bulb back on the product once it is fully dry.

Michael Anastassiades' design philosophy is to preserve the inherent qualities of given material. All of our products are handmade and come in natural finishes, exposed to the elements without any protective lacquers. We look at oxidation as part of a process that adds to the patina of an object, increasing beauty with time. We try our best for all goods to leave our premises in pristine condition, but sometimes products may arrive with minor oxidation marks.

Whilst every effort is made to ensure accurate representation of product colours, finishes and dimensions, Michael Anastassiades Ltd reserves the right to alter these details without notice, in compliance with its own production needs, technological changes or in response to the current market needs. Colour swatches are for reference only; Michael Anastassiades Ltd cannot guarantee exact colour match for any product finishes.

All designs are protected under copyright law. Michael Anastassiades holds the exclusive manufacturing and distribution rights worldwide. Copying will be prosecuted.

All light fixtures in this catalogue have CE marking compliance.

Michael Anastassiades Ltd.  
122 Lower Marsh, London SE1 7AE  
T +44 (0)20 7928 7527  
sales@michaelanastassiades.com  
www.michaelanastassiades.com  
© 2017 Michael Anastassiades Ltd.. All rights reserved.

# MICHAEL ANASTASSIADES

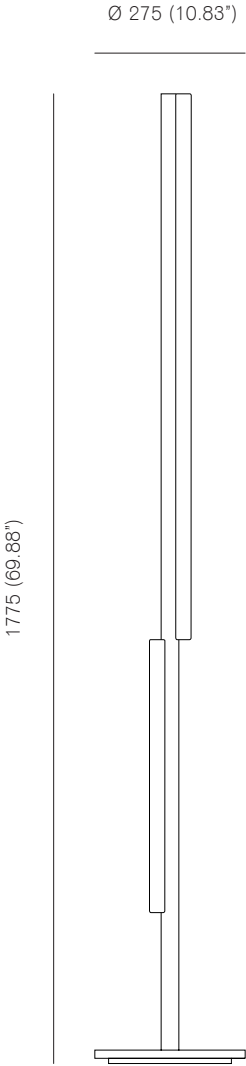
One Well-Known Sequence Aluminium 0501, 2017



One Well-Known Sequence Aluminium 0501, 2017

Black anodized satin aluminium

Black braided flex, inline switch



## Bulb specifications

Bulb specifications 240V  
S14s opal LED tube  
Radium Raledina 16,5W / 1000mm Ø 29mm  
1000lm / 2700K

S14s opal LED tube  
Radium Raledina 9W / 500mm Ø 29mm  
450lm / 2700K

## Product specifications

Input voltage: 120V / 240V  
Maximum wattage: 16,5W for 1000mm bulb, 9W for 500mm bulb.  
Provided with 2500mm cord set. Dimmer switch upon request.  
Product weight: ~14kg

## Cleaning Instructions

Before cleaning, lighting fixtures must be turned off and unplugged from mains electricity. Whilst cleaning them please be extremely careful and use the white cotton gloves provided in the product box.

Black anodized satin aluminum: Use a lightly damp soft dust cloth and gently go over marks until clean. Dry it afterwards with a soft dust cloth. Make sure the product is completely dry before switching the electricity on.

Glass tube: Remove the bulb from the product. Using a lightly damp cloth, clean only the outside of the sphere and dry it with a dry soft dust cloth. Only put the glass bulb back on the product once it is fully dry.

Michael Anastassiades' design philosophy is to preserve the inherent qualities of given material. All of our products are handmade and come in natural finishes, exposed to the elements without any protective lacquers. We look at oxidation as part of a process that adds to the patina of an object, increasing beauty with time. We try our best for all goods to leave our premises in pristine condition, but sometimes products may arrive with minor oxidation marks.

Whilst every effort is made to ensure accurate representation of product colours, finishes and dimensions, Michael Anastassiades Ltd reserves the right to alter these details without notice, in compliance with its own production needs, technological changes or in response to the current market needs. Colour swatches are for reference only; Michael Anastassiades Ltd cannot guarantee exact colour match for any product finishes.

All designs are protected under copyright law. Michael Anastassiades holds the exclusive manufacturing and distribution rights worldwide. Copying will be prosecuted.

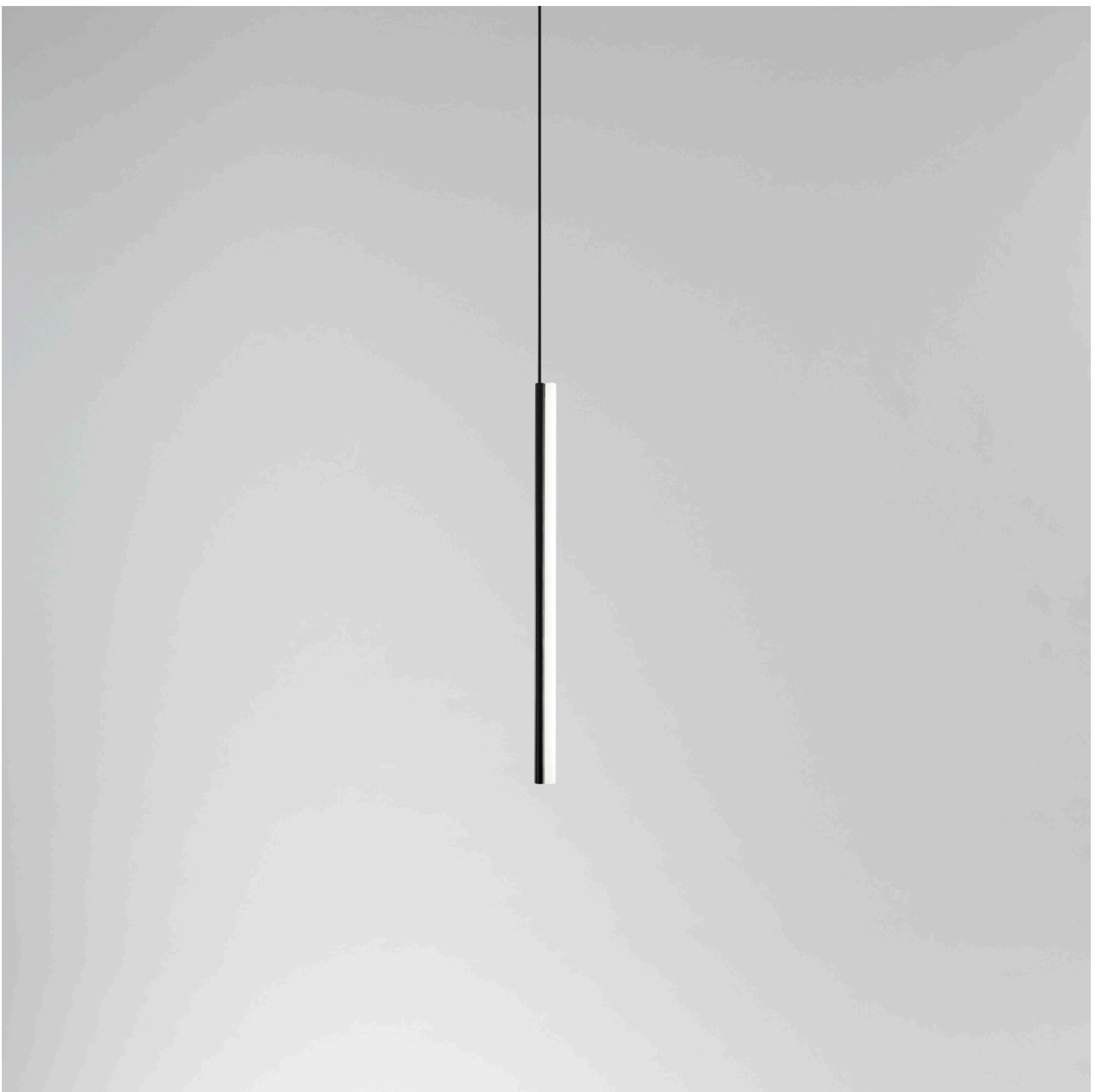
All light fixtures in this catalogue have CE marking compliance.

Michael Anastassiades Ltd.  
122 Lower Marsh, London SE1 7AE  
T +44 (0)20 7928 7527  
sales@michaelanastassiades.com  
www.michaelanastassiades.com  
© 2017 Michael Anastassiades Ltd.. All rights reserved.

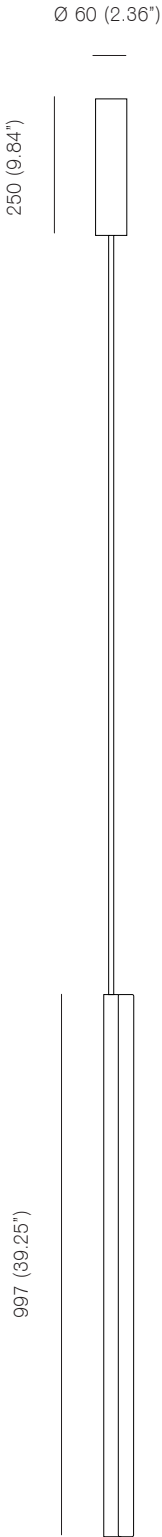


# MICHAEL ANASTASSIADES

One Well-Known Sequence Aluminium -01, 2017



One Well-Known Sequence Aluminium -01, 2017  
Black anodized satin aluminium  
Pendant rod length to order



## Bulb specifications

Bulb specifications 240V  
S14s opal LED tube  
Radium Raledina 16,5W / 1000mm Ø 29mm  
1000lm / 2700K

## Product specifications

Input voltage: 120V / 240V  
Maximum wattage: 16,5W  
Dimmable: yes  
Product weight: ~ 6kg

Pendant rod length to order with maximum rod length 2000mm.  
Please supply required drop length of fixture, measured from the ceiling to bottom fitting at time of order.

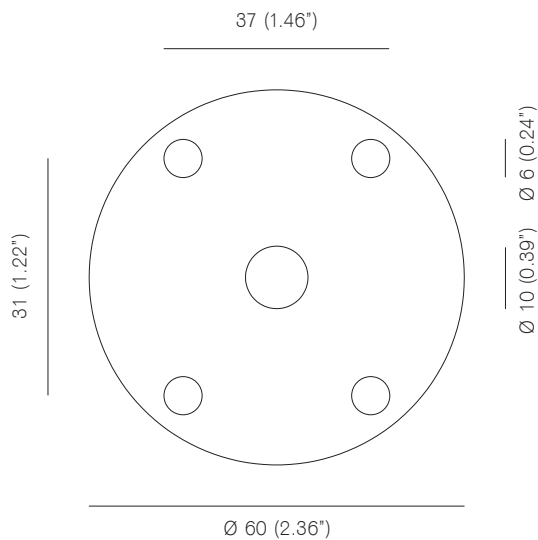
## Cleaning Instructions

Before cleaning, lighting fixtures must be turned off and unplugged from mains electricity. Whilst cleaning them please be extremely careful and use the white cotton gloves provided in the product box.

Black anodized satin aluminum: Use a lightly damp soft dust cloth and gently go over marks until clean. Dry it afterwards with a soft dust cloth. Make sure the product is completely dry before switching the electricity on.

Glass tube: Remove the bulb from the product. Using a lightly damp cloth, clean only the outside of the sphere and dry it with a dry soft dust cloth. Only put the glass bulb back on the product once it is fully dry.

## Backplate



Mounting screws not included.  
6mm countersunk screw recommended.

Michael Anastassiades' design philosophy is to preserve the inherent qualities of given material. All of our products are handmade and come in natural finishes, exposed to the elements without any protective lacquers. We look at oxidation as part of a process that adds to the patina of an object, increasing beauty with time. We try our best for all goods to leave our premises in pristine condition, but sometimes products may arrive with minor oxidation marks.

Whilst every effort is made to ensure accurate representation of product colours, finishes and dimensions, Michael Anastassiades Ltd reserves the right to alter these details without notice, in compliance with its own production needs, technological changes or in response to the current market needs. Colour swatches are for reference only; Michael Anastassiades Ltd cannot guarantee exact colour match for any product finishes.

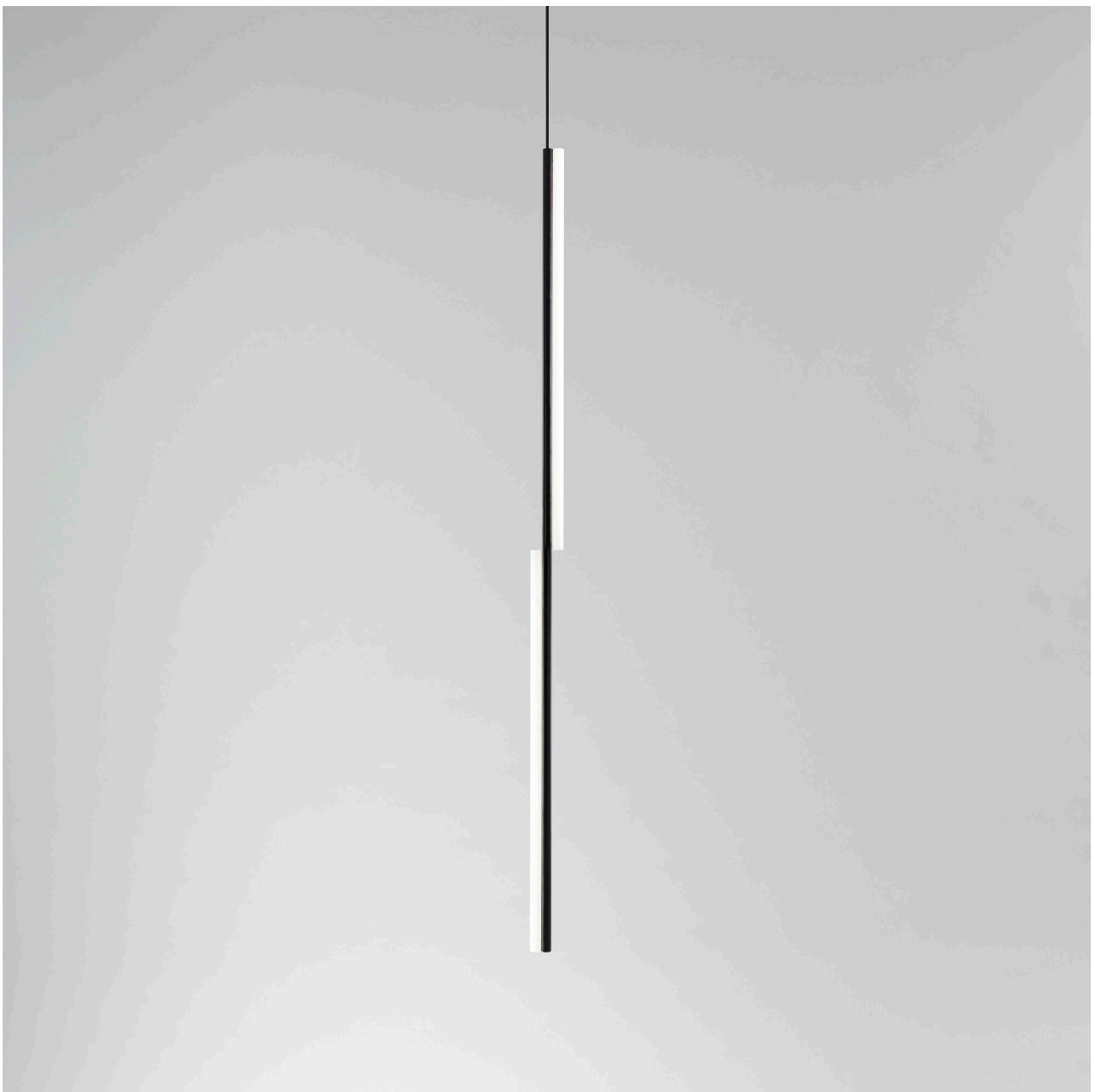
All designs are protected under copyright law. Michael Anastassiades holds the exclusive manufacturing and distribution rights worldwide. Copying will be prosecuted.

All light fixtures in this catalogue have CE marking compliance.

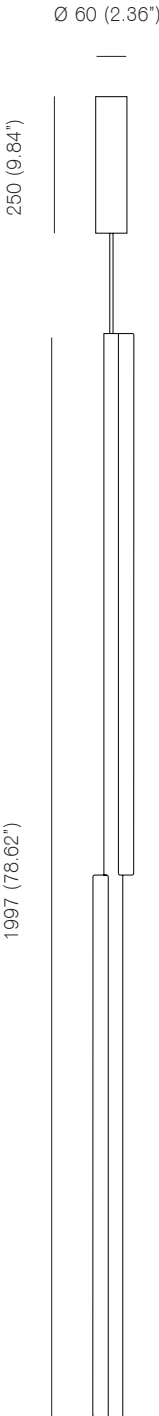
Michael Anastassiades Ltd.  
122 Lower Marsh, London SE1 7AE  
T +44 (0)20 7928 7527  
sales@michaelanastassiades.com  
www.michaelanastassiades.com  
© 2017 Michael Anastassiades Ltd.. All rights reserved.

# MICHAEL ANASTASSIADES

One Well-Known Sequence Aluminium -0101, 2017



One Well-Known Sequence Aluminium -0101, 2017  
Black anodized satin aluminium  
Pendant rod length to order



## Bulb specifications

Bulb specifications 240V  
S14s opal LED tube  
Radium Raledina 16,5W / 1000mm Ø 29mm  
1000lm / 2700K

## Product specifications

Input voltage: 120V / 240V  
Maximum wattage: 16,5W  
Dimmable: yes  
Product weight: ~12kg

Pendant rod length to order with maximum rod length 2000mm.  
Please supply required drop length of fixture, measured from the ceiling to bottom fitting at time of order.

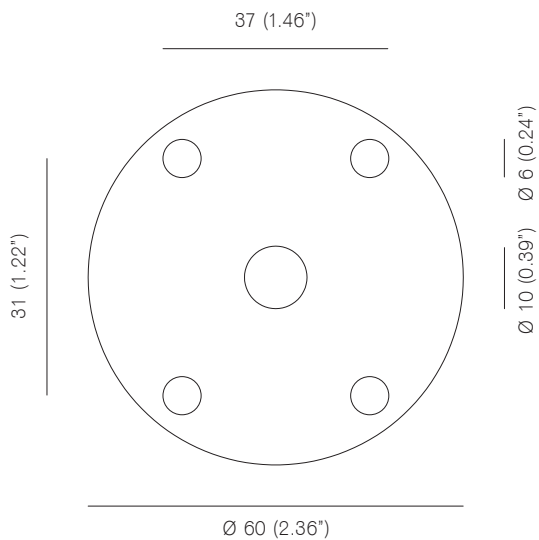
## Cleaning Instructions

Before cleaning, lighting fixtures must be turned off and unplugged from mains electricity. Whilst cleaning them please be extremely careful and use the white cotton gloves provided in the product box.

Black anodized satin aluminum: Use a lightly damp soft dust cloth and gently go over marks until clean. Dry it afterwards with a soft dust cloth. Make sure the product is completely dry before switching the electricity on.

Glass tube: Remove the bulb from the product. Using a lightly damp cloth, clean only the outside of the sphere and dry it with a dry soft dust cloth. Only put the glass bulb back on the product once it is fully dry.

## Backplate



Mounting screws not included.  
6mm countersunk screw recommended.

Michael Anastassiades' design philosophy is to preserve the inherent qualities of given material. All of our products are handmade and come in natural finishes, exposed to the elements without any protective lacquers. We look at oxidation as part of a process that adds to the patina of an object, increasing beauty with time. We try our best for all goods to leave our premises in pristine condition, but sometimes products may arrive with minor oxidation marks.

Whilst every effort is made to ensure accurate representation of product colours, finishes and dimensions, Michael Anastassiades Ltd reserves the right to alter these details without notice, in compliance with its own production needs, technological changes or in response to the current market needs. Colour swatches are for reference only; Michael Anastassiades Ltd cannot guarantee exact colour match for any product finishes.

All designs are protected under copyright law. Michael Anastassiades holds the exclusive manufacturing and distribution rights worldwide. Copying will be prosecuted.

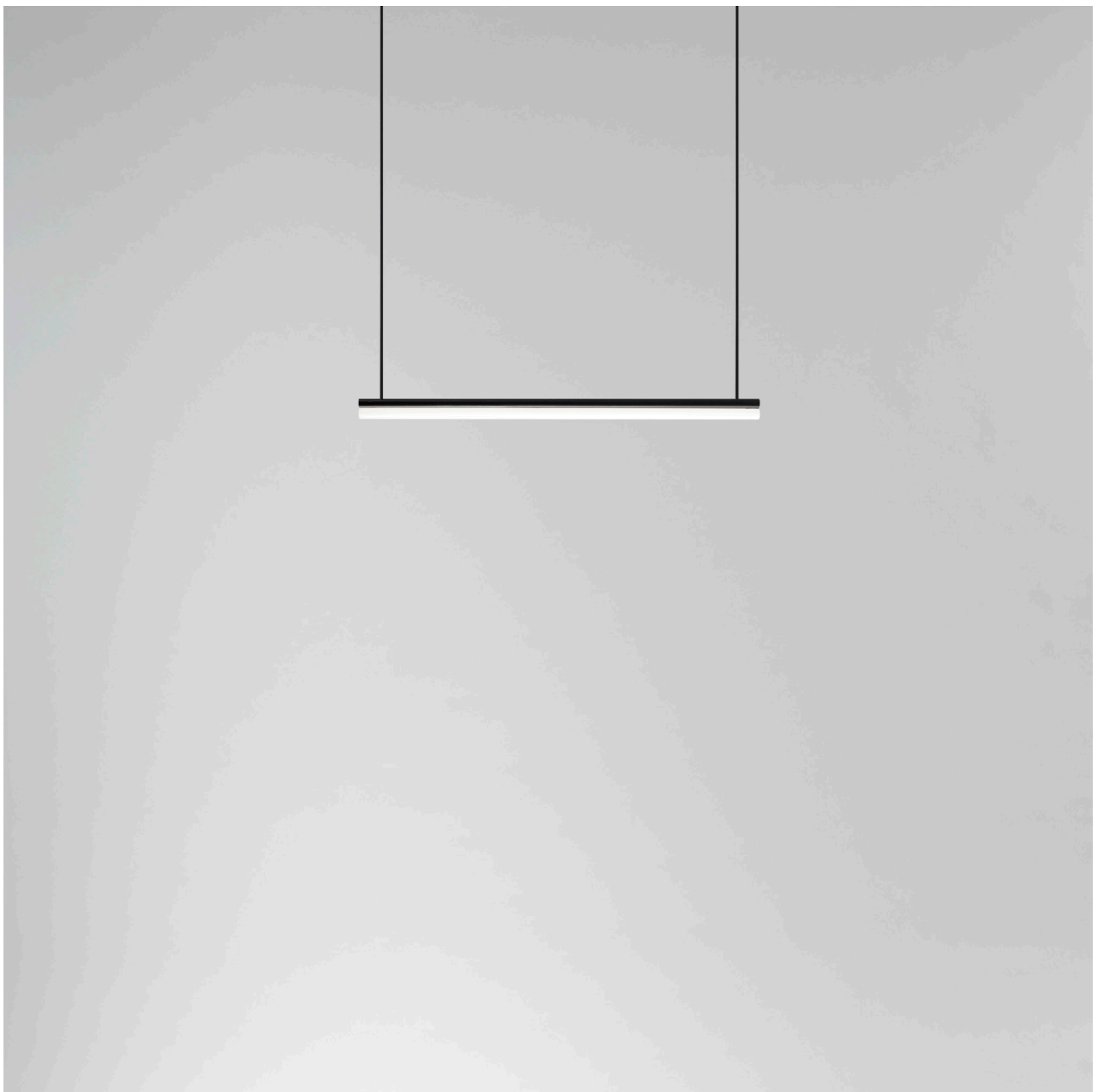
All light fixtures in this catalogue have CE marking compliance.

Michael Anastassiades Ltd.  
122 Lower Marsh, London SE1 7AE  
T +44 (0)20 7928 7527  
sales@michaelanastassiades.com  
www.michaelanastassiades.com  
© 2017 Michael Anastassiades Ltd.. All rights reserved.

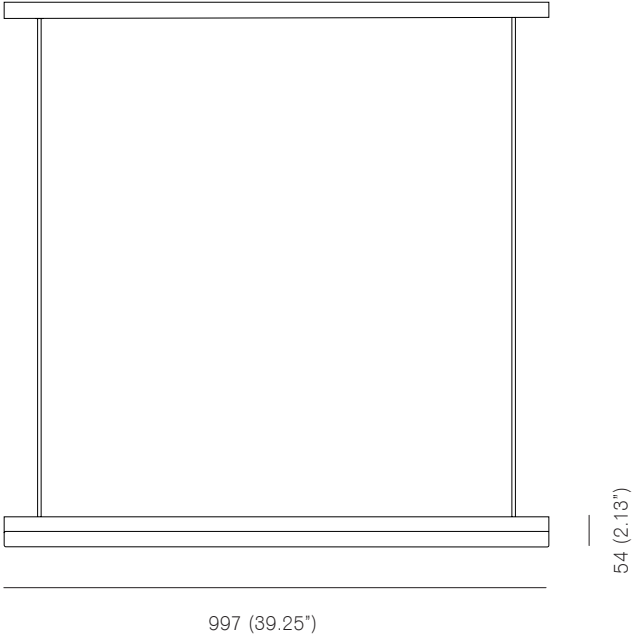


# MICHAEL ANASTASSIADES

One Well-Known Sequence Aluminium -10, 2017



One Well-Known Sequence Aluminium -10, 2017  
Black anodized satin aluminium  
Pendant rod length to order



## Bulb specifications

Bulb specifications 240V  
S14s opal LED tube  
Radium Raledina 16,5W / 1000mm Ø 29mm  
1000lm / 2700K

## Product specifications

Input voltage: 120V / 240V  
Maximum wattage: 16,5W  
Dimmable: yes  
Product weight: ~10kg

Pendant rod length to order with maximum rod length 2000mm.  
Please supply required drop length of fixture, measured from the ceiling to bottom fitting at time of order.

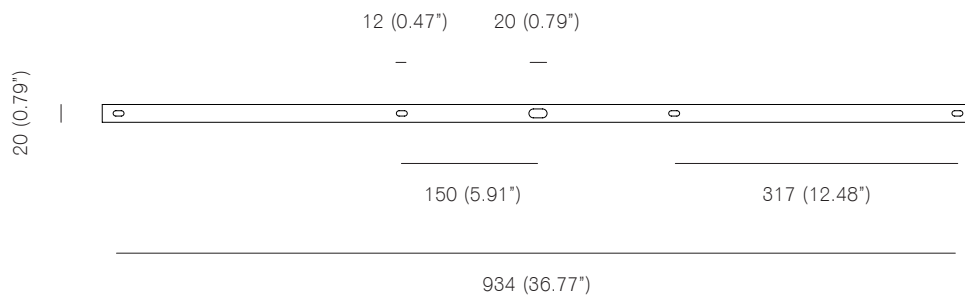
## Cleaning Instructions

Before cleaning, lighting fixtures must be turned off and unplugged from mains electricity. Whilst cleaning them please be extremely careful and use the white cotton gloves provided in the product box.

Black anodized satin aluminum: Use a lightly damp soft dust cloth and gently go over marks until clean. Dry it afterwards with a soft dust cloth. Make sure the product is completely dry before switching the electricity on.

Glass tube: Remove the bulb from the product. Using a lightly damp cloth, clean only the outside of the sphere and dry it with a dry soft dust cloth. Only put the glass bulb back on the product once it is fully dry.

## Backplate



Mounting screws not included.  
6mm countersunk screw recommended.

Michael Anastassiades' design philosophy is to preserve the inherent qualities of given material. All of our products are handmade and come in natural finishes, exposed to the elements without any protective lacquers. We look at oxidation as part of a process that adds to the patina of an object, increasing beauty with time. We try our best for all goods to leave our premises in pristine condition, but sometimes products may arrive with minor oxidation marks.

Whilst every effort is made to ensure accurate representation of product colours, finishes and dimensions, Michael Anastassiades Ltd reserves the right to alter these details without notice, in compliance with its own production needs, technological changes or in response to the current market needs. Colour swatches are for reference only; Michael Anastassiades Ltd cannot guarantee exact colour match for any product finishes.

All designs are protected under copyright law. Michael Anastassiades holds the exclusive manufacturing and distribution rights worldwide. Copying will be prosecuted.

All light fixtures in this catalogue have CE marking compliance.

Michael Anastassiades Ltd.  
122 Lower Marsh, London SE1 7AE  
T +44 (0)20 7928 7527  
sales@michaelanastassiades.com  
www.michaelanastassiades.com  
© 2017 Michael Anastassiades Ltd.. All rights reserved.